

BM004A-614

CD / USB/AM / FM/ BTH Boombox



Instruction Manual

EN - ENGLISH

POWER SUPPLY

USING AC

Before use, check that the rated voltage of your unit matches your local voltage.

Note: Plug is used as the disconnect device.

The disconnect device shall remain readily operable.

USING BATTERIES

Disconnect the AC power cord from the AC inlet of the unit. Battery power is cut automatically by the cord while it is connected.

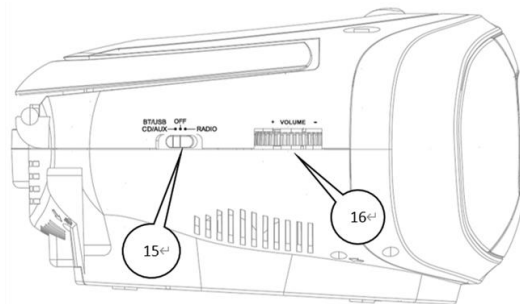
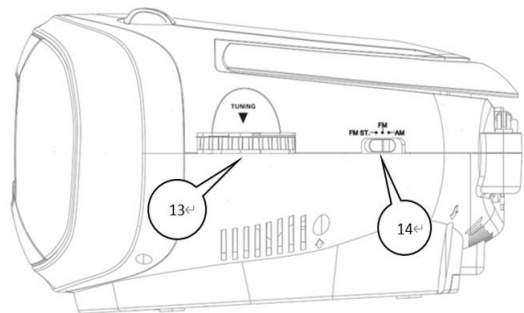
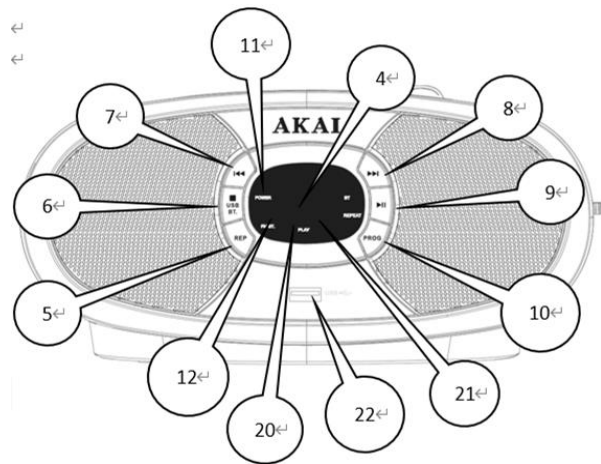
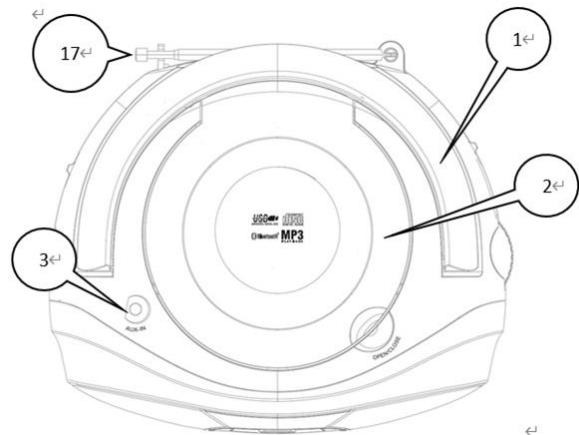
When the volume decrease, or the sound distorts, replace all of the batteries with new ones.

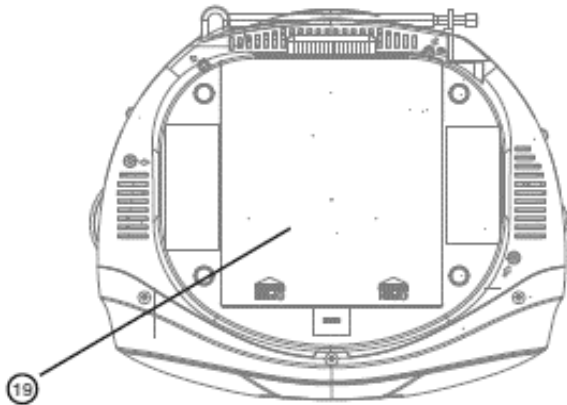
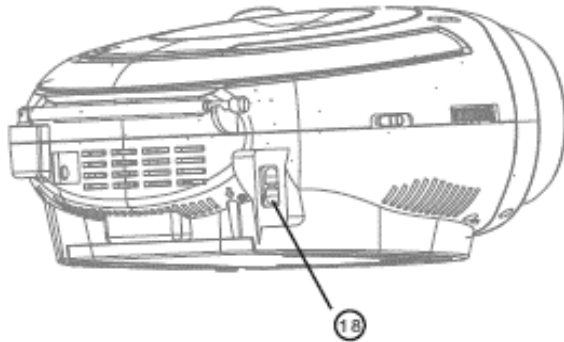
Insert 6 x 1.5V(R14/UM2/C) batteries.

Attention should be drawn to be the environmental aspects of battery disposal. Batteries shall not be exposed to excessive heat such as sunshine, fire or the like.

CAUTION! The apparatus shall not be exposed to dripping or splashing and that no objects filled with liquids, such as vases, shall be placed on the apparatus.

LOCATION CONTROLS





1. HANDLE
2. CD DOOR
3. HEADPHONE JACK
4. LCD DISPLAY
5. REPEAT BUTTON
6. STOP BUTTON / FUNCTION BUTTON
7. SKIP BACKWARD BUTTON
8. SKIP FORWARD BUTTON
9. PLAY/PAUSE BUTTON
10. PROGRAM BUTTON
11. POWER INDICATOR
12. FM ST. /USB INDICATOR
13. TUNING KNOB
14. CD/BT/ USB/AUX/RADIO INDICATOR
15. FUNCTION SWITCH
16. VOLUME KNOB
17. FM ANTENNA
18. AC POWER CORD
19. BATTERY COMPARTMENT
20. PLAY/PAUSE LED INDICATOR
21. REPEAT STATUS INDICATOR
22. USB port

OPERATION

Listening to the Radio

1. Insert the main plug into a main supply power outlet.
2. Select the Function switch to RADIO position.
3. Slide the BAND switch to select AM/FM/FM ST. Band.
4. Rotate the TUNING control knob to search for the desire station.
5. Rotate the VOLUME control knob to the desire volume sound.
6. To turn off the unit power, Set Function switch to OFF position to power off.

To have the best AM reception, slightly rotate the unit or move the unit to a different area of the room until the best reception is obtained.

To obtain the best FM reception, fully extend the FM antenna. Avoid close proximity to the speakers and other electrical appliance.

Listening to Music CD Disc

1. Insert the main plug into a main supply power outlet.
2. Set Function switch to CD position.
3. To open the CD door by lifting the Open/Close area near the CD door. Insert disc into the disc compartment with the title side upwards.
4. The total playing track number will show on the LCD display, Press play button to play the CD disc.

5. Press SKIP FORWARD button / SKIP BACKWARD button to jump to next or previous track.
6. Press and hold SKIP FORWARD button / SKIP BACKWARD button to search rapidly within a track to locate a specific passage.
7. During CD play, press the PLAY/PAUSE button to pause CD playing and press again to resume. The play indicator dot will blinking.
8. Press the STOP button to stop the CD playing, and total number of track will show on the LCD display.
9. After all tracks have been played, the CD player will stop automatically, and total number of track will also show on the LCD display.

NOTES:

Do not open the CD compartment while the disc is playing or rotating. First press the STOP button.

This unit can play Music CD Disc format.

Play other audio devices though our set

You can enjoy the music of a digital MP3 player, computer or any other external audio device (with a 3.5mm stereo jack) though the set.

1. Insert an audio cable (not included) with 3.5mm plug on each end into the HEADPHONES jack or LINE OUT jack of your MP3 player or computer, and the other end into the AUX-IN jack of the set. This cable is available in any electronic store.
2. Connect the supplied AC power cord or batteries.
3. Slide the FUNCTION switch to AUX position.
4. Turn on your MP3 player or computer, adjust the VOLUME control of the MP3 player/computer and the set to the desired level.
5. Set Function switch to OFF position to power off.

REPEAT 1/ REPEAT ALL

1. During CD playback, press SKIP FORWARD button / SKIP BACKWARD button to select a track you wish to repeat.
2. Press the REP button a first time, unit will play the desired track repeatedly. The REP. will show on the LCD display and flash.
3. During CD playback, press REP button continuously until the REP ALL is light on the LCD display. The unit will play all the

tracks on the disc repeatedly

4. To cancel the setting, press the REP button continuously until the REP indicator disappear on the LCD display.

To Program Specific Tracks (up to 20 Tracks)

1. Load the CD you wish to program.
2. Make sure the CD is in stop mode.
3. Press the PROG button once, "0 1 PROG" will show on the LCD display.
4. Press the SKIP FORWARD button / SKIP BACKWARD button until the desired track number is reached.
5. Press the PROG button to store the selection.
6. Press the PROG button again, to browse the programmed tracks. Press the PROG button once time to choose program position and you can revised the programmed track or program new track.
7. Repeat (4) & (5) steps until you have entered all the tracks.
8. After all memory tracks have been played, the CD player will stop automatically.

To Repeat Programmed tracks

1. During program play, press REP button once will repeat the specifically programmed track.
2. Press REP button again will repeat all the programmed tracks. Press Stop button to cancel repeat play on programmed tracks.

USB MP3 PLAYBACK

1. Insert power source.
2. Select Function switch to USB position.
3. Press the Stop/Function button until displayed "U".
4. Insert the USB device to USB port. to play MP3 music.
5. You may press "Fast forward", "Fast Backward", "Play/Pause", "Stop" for MP3 playback control.
6. To turn off the unit power, set Function switch to OFF position to power off.

BLUETOOTH PLAYBACK

1. Insert power source.
2. Select Function switch to USB position.
3. Press the Stop/Function button until displayed "BT".

4. Connect your smartphone with the device (name: BM004A-614). to play MP3 music.
5. You may press "Fast forward", "Fast Backward", "Play/Pause", "Stop" for MP3 playback control but preferable using the smartphone instead.

Auto Power Off Function

- When unit is not playing CD or Aux-in, unit will automatically turn off after 10 minutes.
- User able to press "Play" button to wake up the boombox when the unit is power off by itself.
- Above operation will not work when the units in "Power off" status.

TECHNICAL SPECIFICATION

FM 88—108 MHz

AM 520 – 1600 kHz

Power source:AC:230V~50Hz, DC: 9V

USB Port: 5VDC,200mA

Dimensions: 24.5 x 20 11.8 cm

Weight: 1.18 KG

DISPOSAL OF ELECTRICAL AND ELECTRONIC EQUIPMENT



This symbol on the product or packaging means that the product should not be treated as household waste. Do not throw garbage at the end of its life, but take it to a collection center for recycling.



in this way you will help to protect the environment and be able to prevent any negative consequences that it would have on the environment and human health.

To find your nearest collection center:

- Contact local authorities
- Access the website: www.mmediu.ro
- Request additional information from the store where you purchased the product.

IMPORTER: SC INTERVISION TRADING-RO SRL

Bld. I.C Bratianu, nr. 48-52, corp A, etaj. 5,
camera 504-505, oras Pitesti, judet Arges, Romania

Cod postal: 110121

BM004A-614

CD / USB/AM / FM /BTH Boombox



Manual de utilizare

RO - ROMÂNĂ

ALIMENTARE ELECTRICA

ALIMENTARE LA PRIZA

Înainte de utilizare, verificați dacă tensiunea prizei de alimentare specificată pe aparat corespunde cu sursa de alimentare locală.

Nota:

Folosiți mufa pentru a conecta/deconecta unitatea în/din priză. Unitatea deconectată rămâne în stare de operare.

UTILIZAREA BATERIILOR

Deconectați cablul de alimentare de la priză de perete și din unitate. Puterea bateriilor este întreruptă când cablul este conectat.

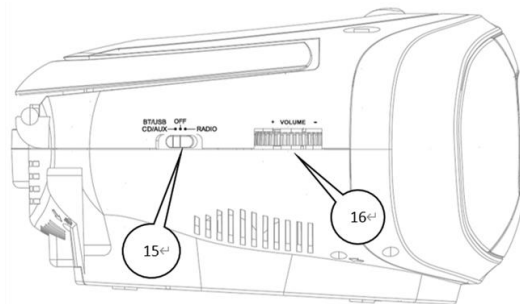
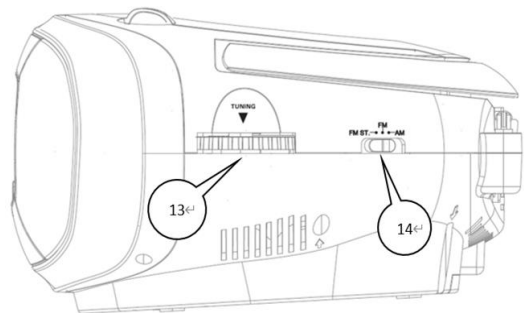
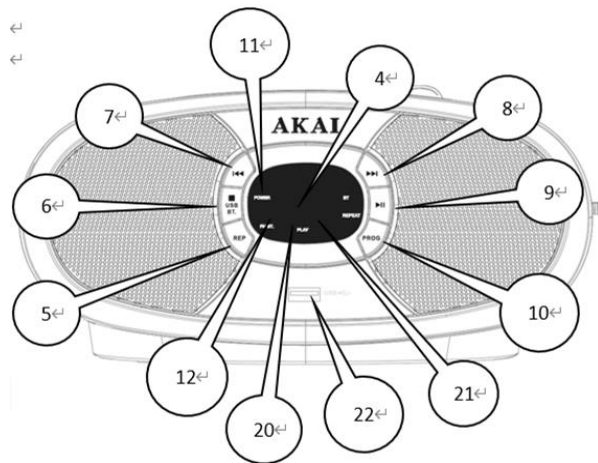
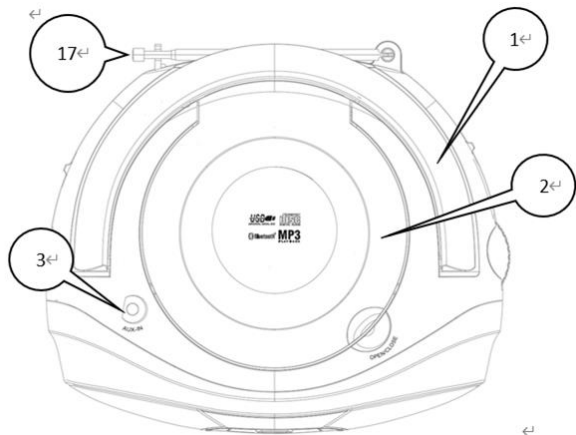
Când volumul scade, sau sunetul este distorsionat, înlocuiți toate bateriile cu altele noi.

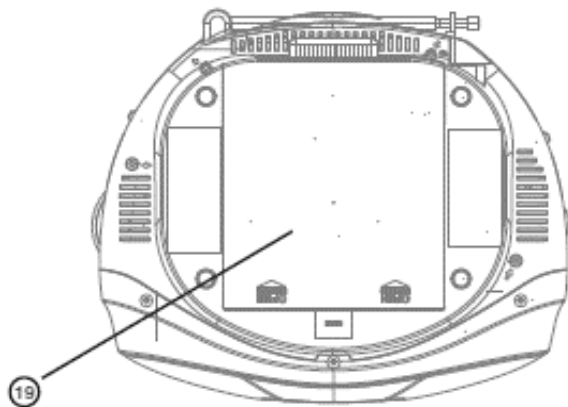
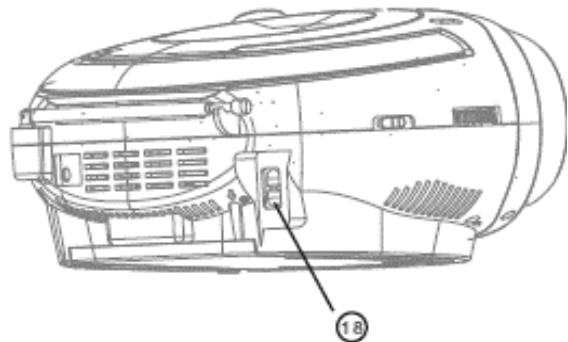
Introduceți 6 baterii de 1.5V (R14/UN12/C).

Eliminați bateriile din mediul inconjurător în mod responsabil. Bateriile nu trebuie expuse la căldură excesivă, cum ar fi razele soarelui, foc sau altele asemănătoare.

Atenție! Unitatea nu trebuie expusă în locuri cu risc crescut de umiditate, stropire sau lângă vase cu lichide, cum ar fi vasele

FUNCTII DE CONTROL





1. MANER
2. USA CD
3. MUFĂ PENTRU CĂȘTI
4. ECRAN LCD
5. BUTON REPEAT
6. BUTON STOP / BUTON PORNIRE
7. BUTON SKIP INAPOI
8. BUTON SKIP INAINTE
9. BUTON REDARE/PAUZĂ
10. PROGRAM BUTTON
11. BUTON PROGRAME
12. INDICATOR ST FM/USB
13. BUTON TUNING
14. INDICATOR CD/BT/ USB/AUX/RADIO
15. SCHIMBARE FUNCTIE
16. BUTON VOLUM
17. ANTENA FM
18. CABLU DE ALIMENTARE CURENT
19. COMPARTIMENT BATERII
20. INDICATOR LED PLAY/PAUSE
21. INDICATOR STATUS REPETARE
22. PORT USB

OPERARE

Utilizarea functiei Radio

1. Introduceti stecherul intr-o priza principala de alimentare.
2. Apasati butoanele. Indicatorul pentru alimentare se va aprinde.
3. Selectati functia RADIO.
4. Glisati comutatorul BAND pentru a selecta banda AM/FM.
5. Rotiti butonul de control TUNING pentru a comuta pe postul de radio dorit.
6. Rotiti butonul VOLUME pentru a regla volumul sunetului.
7. Pentru a opri unitatea, setati butonul Function pe pozitia OFF. Pentru o buna receptie a benzii AM, rotiti usor sau mutati unitatea in diferite zone ale incaperii pana obtineti receptia dorita.
8. Pentru o buna receptie a benzii FM, extindeti complet antena FM. Evitati apropierea difuzoarelor sau a altor aparate electrice.

Utilizarea functiei Music CD Disc

1. Introduceti stecherul intr-o priza principala de alimentare.
2. Setati comutatorul pe pozitia CD.




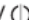
3. Deschideti compartimentul pentru CD ridicand sertarul Open/Close. Introduceti discul in compartiment cu partea inscriptionata in sus.
4. Numarul complet de piese va aparea pe afisajul LCD, iar unitatea va incepe sa redea discul, Apasati butonul Play pentru a reda continutul CD-ului.
5. Apasati butonul SKIP FORWARD/SKIP BACKWARD pentru a trece la melodia urmatoare sau precedenta.
6. Apasati si mentineti butonul SKIP FORWARD/SKIP BACKWARD pentru a cauta rapid intr-o piesa, pentru a localiza un anumit pasaj.
7. In timpul rularii discului, apasati butonul PLAY/PAUSE pentru a intrerupe redarea si apasati din nou pentru a relua. Indicatorul de redare va incepe sa clipeasca.
8. Apasati butonul STOP pentru a opri redarea CD, si numarul total de piese va aparea pe ecranul LCD.
9. Dupa ce toate piesele au fost redade, CD player-ul se va opri automat, iar numarul total de piese se va afisa, de asemenea, pe ecranul LCD

Nota:Nu deschideti compartimentul CD-ului in timpul redarii sau rotirii.Inainte apasati butonul STOP.

Acest aparat poate reda muzica in format CD.

Redarea altor dispozitive audio cu ajutorul aparatului

Va puteti bucura de muzica de la MP3 player, computer sau alt dispozitiv audio extern (cu mufa stereo de 3.5mm) conectat la unitate.

1. Introduceti un cablu audio (neinclus) cu o mufa de 3.5mm la ambele capete la conectorul pentru casti sau la mufa de iesire de la computer sau MP3 si celalalt capat la mufa AUX-IN de la unitate. Gasiti un astfel de cablu la orice magazin de electrice.
2. Conectati la priza de alimentare sau la baterii.
3. Apasati butoanele /. Indicatorul de alimentare se va aprinde.
4. Glisati comutatorul FUNCTION in pozitia AUX.
5. Porniti player-ul MP3 sau computerul, reglati controlul volumului de la MP3 player sau computer si setati la nivelul dorit.
6. Apasati si mentineti apasat butonul / pentru 3 secunde pentru a inchide.

Repetare 1 melodie / repetare toate melodiile

1. In timpul redarii CD-ului, apasati butonul SKIP FORWARD/SKIP BACKWARD, pentru a selecta piesa care doriti sa se repete.
2. Apasati butonul REP prima data si unitatea va reda melodia dorita in mod repetat. "REP" va aparea pe ecranul LCD.
3. Pentru a anula setarea, apasati butonul REP pana cand "REP" dispare de pe ecranul LCD.
4. In timpul redarii CD-ului, apasati butonul REP continuu pana cand "REP ALL" apare pe ecranul LCD. Unitatea va reda toate melodiile de pe disc in mod repetat.
5. Pentru a anula setarea, apasati butonul REP continuu pana cand indicatorul REP dispare de pe ecranul LCD.

Programarea pieselor (pana la 20 de melodii)

1. Incarcati CD-ul dorit pentru a fi programat.
2. Asigurati-va ca CD-ul este in modul oprit.
3. Apasati butonul PROG o data, iar "0 1 PROG" va aparea pe ecranul LCD.
4. Apasati butonul SKIP FORWARD/ SKIP BACKWARDS pana cand se ajunge la numarul piesei dorite.

5. Apasati butonul PROG pentru a memora selectia.
6. Apasati butonul PROG din nou, pentru a cauta piesele programate. Apasati butonul PROG o data pentru a alege pozitia de programare si apoi puteti asculta piesa programata sau puteti programa o piesa noua.
7. Repetati pasii (4) si (5) pana cand ati introdus toate piesele.
8. Dupa ce toate piesele din memorie au rulat, unitatea se va opri automat

Repetarea melodiilor programate

1. In timpul redarii programului, apasati butonul REP o data si se va repeta piesa programata.
2. Apasati din nou butonul REP si se vor repeta toate piesele programate.
Apasati butonul Stop pentru a anula redarea repetata a pieselor programate

REDAREA USB / MP3/

1. Introduceti stecherul intr-o priza principala de alimentare
2. Selectati comutatorul rotativ la pozitia USB.
3. Apăsăți butonul Stop / Function până când apare „U”.
4. Introduceti dispozitivul USB la portul USB pentru a reda muzica in format MP3.

5. Puteți apăsa “Fast forward”, “Fast Backward”, “Play/Pause”, “Stop” pentru controlul redării MP3.
6. Pentru a opri alimentarea unității, setați comutatorul „Function” în poziția OFF pentru a opri.

REDARE BLUETOOTH

1. Introduceți sursa de alimentare.
2. Selectați comutatorul Function în poziția USB.
3. Apăsăți butonul Stop / Function până când se afișează ”BT”.
4. Conectați-vă smartphone-ul la dispozitiv (nume: BM004A-614) pentru a reda muzică MP3.
5. Puteți apăsa „Fast forward”, „Fast Backward”, „Play / Pause”, „Stop” pentru controlul redării MP3, dar, preferabil, folosind smartphone-ul.

FUNCTIA AUTO POWER OFF

- Cand unitatea nu reda melodiile de pe CD sau Aux IN, aceasta se va opri automat dupa 10 minute.
- Utilizatorul poate apasa butonul “Play” pentru a reporni aparatul cand acesta este oprit automat.
- Operatia de mai sus nu va functiona atunci cand unitatea este oprita.

SPECIFICATIILE TEHNICE

FM 88—108 MHz

AM 520 – 1600 kHz

Putere alimentare: AC: 230V~50Hz, DC: 9V

Port USB: 5VDC, 200mA

Dimensiuni: 24.5 x 20 x 11.8 cm

Greutate: 1.18 KG

ELIMINAREA ECHIPAMENTELOR ELECTRICE ȘI ELECTRONICE



Acest simbol de pe produs sau de pe ambalajul acestuia indică faptul că produsul nu se poate trata la fel ca și deșeurile menajere.

Nu îl eliminați împreună cu deșeurile menajere la sfârșitul vieții, ci predați-l către un centru de colectare pentru reciclare. În acest fel veți ajuta la protejarea mediului și veți putea preveni orice consecințe negative pe care le-ar avea asupra mediului și sănătății umane.

Pentru a găsi cel mai apropiat centru de colectare:

- Contactați autoritățile locale
- Accesați site-ul internet: www.mmediu.ro
- Solicitați informații suplimentare de la magazinul de unde ați achiziționat produsul.

IMPORTATOR: S.C. INTERVISION TRADING-RO S.R.L.

Bld. I.C. Brătianu, Nr. 48-52, Corp A, Etaj 5,

Camera 504-505, Oraș Pitești, Județ Argeș, România

Cod poștal: 110121

BM004A-614

CD / USB/AM / FM /BTH Boombox



ΟΔΗΓΙΕΣ ΧΡΗΣΕΩΣ

ΕΛ – ΕΛΛΗΝΙΚΑ

ΤΡΟΦΟΔΟΣΙΑ

ΜΕ ΧΡΗΣΗ ΕΝΑΛΛΑΣΣΟΜΕΝΟΥ ΡΕΥΜΑΤΟΣ

Πρίν τη χρήση, βεβαιωθείτε ότι η ονομαστική τάση της συσκευής σας ταιριάζει με την οικιακή τάση.

Σημείωση : Συνδέστε τη μία πλευρά του καλώδιου στην υποδοχή (είσοδο) της συσκευής για A/C, και το άλλο μέρος στη οικιακή παροχή ρεύματος.

ΜΕ ΧΡΗΣΗ ΜΠΑΤΑΡΙΩΝ

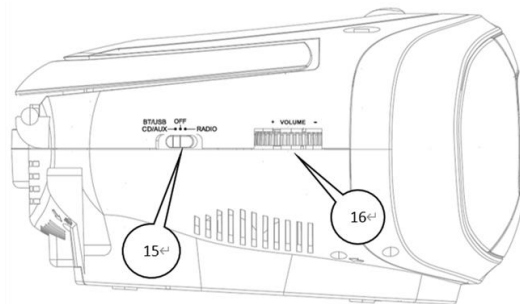
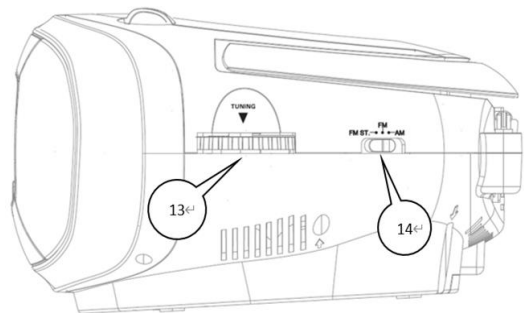
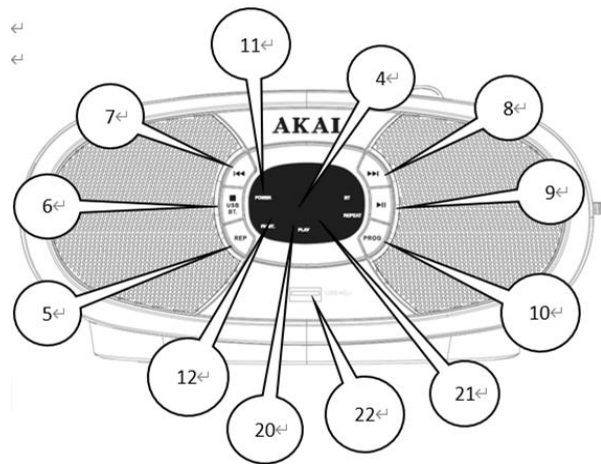
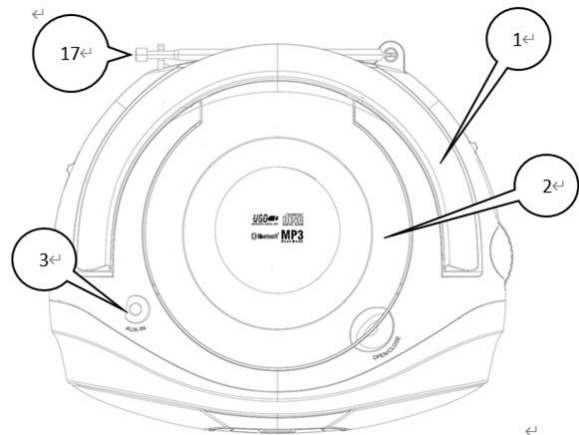
Αποσυνδέστε το καλώδιο ρεύματος AC από την υποδοχή εισόδου AC της μονάδας. Η ενέργεια μπαταρίας κόβεται αυτόματα από το καλώδιο, ενώ είναι συνδεδεμένη η συσκευή. Όταν μειωθεί η ένταση του ήχου ή παραμορφωθεί ο ήχος, παρακαλούμε αντικαταστήστε τις μπαταρίες με καινούργιες.

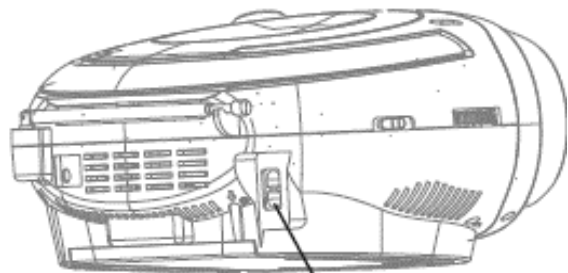
Εισάγετε 6 X 1.5V(R14/UM2/C) μπαταρίες.

Προσοχή θα πρέπει να δοθεί στη περιβαλλοντική πτυχή της απόρριψης μπαταριών. Οι μπαταρίες δεν πρέπει να εκτίθενται σε υπερβολική θερμότητα όπως ήλιο, φωτιά και παρόμοια.

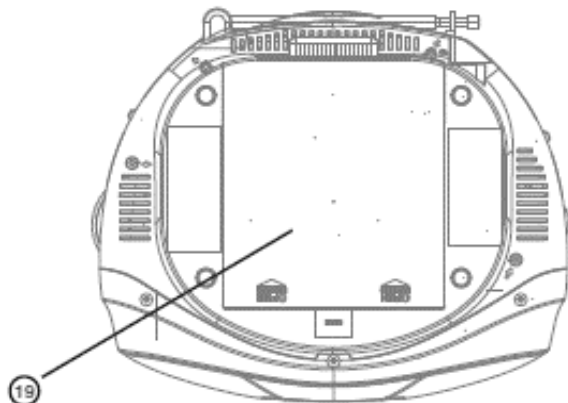
ΠΡΟΣΟΧΗ! Η συσκευή δεν θα πρέπει να εκτίθεται σε υγρά και αντικείμενα που περιέχουν υγρά, όπως βάζα. Τα αντικείμενα αυτά δε θα πρέπει να τοποθετούνται πάνω στη συσκευή.

ΘΕΣΗ ΔΙΑΚΟΠΤΩΝ





18



19

1. ΛΑΒΗ
2. ΘΥΡΑ CD
3. ΥΠΟΔΟΧΗ ΑΚΟΥΣΤΙΚΩΝ
4. ΟΘΟΝΗ LCD
5. ΚΟΥΜΠΙ ΕΠΑΝΑΛΗΨΗΣ
6. ΚΟΥΜΠΙ ΔΙΑΚΟΠΗΣ
7. ΚΟΥΜΠΙ ΜΕΤΑΚΙΝΗΣΗ ΠΡΟΣ ΤΑ ΠΙΣΩΣΚΙΡ
8. ΚΟΥΜΠΙ ΜΕΤΑΚΙΝΗΣΗ ΠΡΟΣ ΤΑ ΕΜΠΡΟΣ
9. ΠΛΗΚΤΡΟ ΠΑΥΣΗΣ/ΑΝΑΠΑΡΑΓΩΓΗΣ
10. ΚΟΥΜΠΙ ΠΡΟΓΡΑΜΜΑΤΟΣ
11. ΔΕΙΚΤΗΣ ΛΕΙΤΟΥΡΓΙΑΣ
12. ΕΝΔΕΙΞΗ FM ST. /USB I
13. ΚΟΥΜΠΙ TUNING(ΣΥΝΤΟΝΙΣΜΟΥ)
14. ΕΝΔΕΙΞΗ CD/BT/ USB/AUX/RADIO
15. ΔΙΑΚΟΠΤΗΣ ΛΕΙΤΟΥΡΓΙΑΣ
16. ΚΟΥΜΠΙ ΕΝΤΑΣΗΣ
17. FM ANTENNA
18. AC ΚΑΛΩΔΙΟ ΤΡΟΦΟΔΟΣΙΑΣ
19. ΘΑΛΑΜΟΣ ΜΠΑΤΑΡΙΩΝ
20. ΔΕΙΚΤΗΣ LED ΑΝΑΠΑΡΑΓΩΓΗΣ/ΠΑΥΣΗΣ
21. ΔΕΙΚΤΗΣ ΕΠΑΝΑΛΗΨΗΣ ΚΑΤΑΣΤΑΣΗΣ
22. ΘΥΡΑ USB

ΛΕΙΤΟΥΡΓΙΑ

Ακούγοντας μουσική από το ραδιόφωνο

1. Εισάγεται το βύσμα σε μία κεντρική παροχή ρεύματος.
2. Θέστε το διακόπτη ΛΕΙΤΟΥΡΓΙΑΣ στη θέση RADIO.
3. Σύρετε το διακόπτη BAND για να επιλέξετε AM/FM ST.Band.
4. Περιστεύστε το κουμπί TUNING(ΣΥΝΤΟΝΙΣΜΟΥ) για να ψάξετε τον επιθυμητό σταθμό.
5. Περιστεύστε το κουμπί VOLUME στο επιθυμητό επίπεδο έντασης ήχου..
6. Για να απενεργοποιήσετε τη συσκευή, θέστε το διακόπτη λειτουργίας στη θέση OFF..

Για να έχετε τη καλύτερη λήψη AM, περιστρέψτε ελαφρώς τη συσκευή ή μετακινήστε τη συσκευή σε άλλο δωμάτιο του σπιτιού μέχρι να αποκτήσετε καλύτερη λήψη.

Για να αποκτήσετε καλύτερη λήψη FM, επεκτείνετε πλήρως τη κεραία FM. Αποφύγετε κοντινή επαφή με ηχεία και με άλλες ηλεκτρικές συσκευές.

Ακούγοντας μουσική από δίσκο CD

1. Εισάγεται το βύσμα σε μία κεντρική παροχή ρεύματος.
2. Θέστε το διακόπτη ΛΕΙΤΟΥΡΓΙΑΣ (FUNCTION) στη θέση CD.
3. Για να ανοίξετε τη θύρα CD σηκώνεται το τμήμα OPEN/CLOSE(άνοιγμα/κλείσιμο) δίπλα στην θύρα CD. Εισάγετε το δίσκο στο θάλαμο για δίσκο με τη μεριά του τίτλου στραμμένη προς τα πάνω.
4. Ο συνολικός αριθμός των κομματιών που περιέχει το CD θα εμφανιστεί στην οθόνη LCD. Η συσκευή θα αρχίσει να παίζει το cd.
5. Πατήστε το κουμπί SKIP FORWARD/SKIP BACKWARD για να μεταβείτε στο προηγούμενο/επόμενο κομμάτι.
6. Πατήστε και κρατήστε πατημένο το κουμπί SKIP FORWARD/SKIP BACKWARD για να αναζητήσετε γρήγορα και να εντοπίσετε ένα συγκεκριμένο απόσπασμα μέσα σε ένα κομμάτι.
7. Κατά τη διάρκεια αναπαραγωγής του CD, πατήστε το κουμπί PLAY/PAUSE για να σταματήσει το CD και μετά πιέστε resume για να αρχίζει να παίζει από εκεί που σταμάτησε. Ο Δείκτης αναπαραγωγής δεν αναβοσβήνει.

8. Πατήστε το κουμπί STOP για να σταματήσει να παίζει το cd και ο συνολικός αριθμός κομματιών θα εμφανιστεί στην οθόνη LCD
9. Μετά την αναπαραγωγή όλων των τραγουδιών , το CD player θα σταματήσει αυτόματα και ο συνολικός αριθμός των τραγουδιών θα εμφανιστεί στην οθόνη LCD.

ΣΗΜΕΙΩΣΗ:

Μην ανοίγετε το θάλαμο που μπάνει το CD όταν παίζει το cd ή όταν περιστρέφεται. Πρώτα πατήστε το κουμπί STOP.

Αναπαραγωγή άλλων συσκευών ήχου από τη συσκευή

Μπορείτε να απολαύσετε τη μουσική ενός ψηφιακού mp3 player, υπολογιστή ή οποιαδήποτε άλλης εξωτερικής συσκευής ήχου με μια στερεοφωνική υποδοχή ήχου 3.5mm.

1. Εισάγετε ένα καλώδιο ήχου (δεν περιλαμβάνεται) με βύσμα 3.5mm σε κάθε άκρο. Δηλαδή το ένα άκρο στην υποδοχή HEADPHONES(ακουστικά) ή υποδοχή LINE OUT του MP3 player ή του υπολογιστή σας και το άλλο άκρο στην υποδοχή AUX-IN της συσκευής. Αυτό το καλώδιο είναι διαθέσιμο σε οποιοδήποτε κατάστημα ηλεκτρικών ειδών.
2. Συνδέστε το παρεχόμενο καλώδιο τροφοδοσίας AC ή μπαταρίες.

3. Σύρετε το διακόπτη FUNCTION στη θέση AUX.
4. Ανάψτε το mp3 player ή τον υπολογιστή σας, προσαρμόστε την ένταση του mp3 player/υπολογιστή και ρυθμίστε την στο επιθυμητό επίπεδο
5. Πατήστε και κρατήστε πατημένο το κουμπί αναπαραγωγής/παύσης για 3 δευτερόλεπτα για να απενεργοποιήσετε τη συσκευή.

Επανάληψη 1/επανάληψη όλων

1. Κατά τη διάρκεια αναπαραγωγής του CD , πατήστε το κουμπί SKIP FORWARD/ το κουμπί SKIP BACKWARD για να επιλέξετε το τραγούδι που επιθυμείτε να επαναλάβετε..
2. Πατήστε το κουμπί επανάληψης REP μία φορά, η συσκευή θα παίζει το επιθυμητό τραγούδι επαναλαμβνόμενα. το ο REP. θα εμφανιστεί στην οθόνη LCD.
3. Κατά τη διάρκεια αναπαραγωγής του CD, πατήστε το κουμπί REP επαναλαμβανόμενα μέχρι να εμφανιστεί στην οθόνη LCD REP ALL(επανάληψη όλων) . Η συσκευή θα παίζει όλα τα τραδούδια του δίσκου επαναλαμβανόμενα.
4. Για να ακυρώσετε τις ρυθμίσεις πατήστε το κουμπί REP επαναλαμβανόμενα μέχρι ο δείκτης REP να εξαφανιστεί απο την οθόνη LCD.

Για να προγραμματίσετε συγκεκριμένα κομμάτια

(πάνω από 20 κομμάτια)

1. Φορτώστε το CD που επιθυμείτε στο πρόγραμμα.
2. Βεβαιωθείτε ότι το CD είναι σε λειτουργία διακοπής(stop mode).
3. Πατήστε το κουμπί PROG μία φορά, θα εμφανιστεί στην οθόνη LCD.
4. Πατήστε το κουμπί SKIP FORWARD / κουμπί SKIP BACKWARD μέχρι να φτάσετε στο επιθυμητό αριθμό κομματιού.
5. Πατήστε το κουμπί |PROG για να αποθηκεύσετε την επιλογή σας.
6. Πατήστε το κουμπί PROG ξανά , για να δείτε γρήγορα τα προγραμματισμένα κομμάτια. Πατήστε το κουμπί PROG μία φορά για να επιλέξετε τη θέση προγράμματος και μπορείτε να αναθεωρήσετε το προγραμματισμένο κομμάτι ή να προγραμματίσετε νέο κομμάτι.
7. Επαναλάβετε τα βήματα 4 και 5 μέχρι να εισέλθετε σε όλα τα κομμάτια.
8. Αφού όλα τα κομμάτια που είναι στη μνήμη έχουν αναπαραχθεί το cd player θα σταματήσει αυτόματα.

Για να επαναλάβετε τα προγραμματισμένα κομμάτια

1. Κατά τη διάρκεια να αναπαραγωγής προγράμματος , πατήστε το κουμπί REP μία φορά και θα επαναληφθεί το συγκεκριμένο προγραμματισμένο κομμάτι.

2. Πατήστε το κουμπί REP ξανά και θα επαναληφθούν όλα τα προγραμματισμένα κομμάτια. Πατήστε το κουμπί Stop για να ακυρώσετε την επαναληπτική αναπαραγωγή των προγραμματισμένων κομματιών.

ΑΝΑΠΑΡΑΓΩΓΗ USB MP3

1. Εισάγετε το βύσμα μέσα σε μία κεντρική παροχή ρεύματος.
2. Επιλέξτε το διακόπτη FUNCTION(ΛΕΙΤΟΥΡΓΙΑΣ) στη θέση RADIO
3. Πιέστε το πλήκτρο Stop/Function μ'χρι να εμφανιστεί "U".
4. Εισάγετε τη συσκευή USB στην υποδοχή USB, για να αναπαράξετε μουσική mp3.
5. Πιέστε τα πλήκτρα "Fast forward", "Fast Backward", "Play/Pause", "Stop" για τον έλεγχο αναπαραγωγής κομματιών MP3.
6. Για να απενεργοποιήσετε τη συσκευή, γυρίστε το διακόπτη στη θέση OFF.

ΑΝΑΠΑΡΑΓΩΓΗ BLUETOOTH

1. Συνδέετε με τροφοδοσία.
2. Γυρίζετε τον επιλογέα στη θέση USB.
3. Πιέστε το πλήκτρο Stop/Function μέχρι να εμφανιστεί "BT".
4. Συνδέστε το smartphone σας με τη συσκευή (όνομα: BM004A-614) για αναπαραγωγή κομματιών MP3.
5. Πιέστε τα πλήκτρα "Fast forward", "Fast Backward", "Play/Pause", "Stop" για αναπαραγωγή κομματιών MP3 (αν και προτινόμε να χρησιμοποιείτε το τηλέφωνό σας για το χειρισμό).

Απενεργοποίηση Αυτόματης Λειτουργίας

- Όταν η συσκευή δε παίζει CD ή Aux in (βοηθητική είσοδο), η συσκευή θα απενεργοποιηθεί αυτόματα μετά από 10 λεπτά. (α)
 - Ο χρήστης έχει τη δυνατότητα να πατήσει "Play" για να "ξυπνήσει" το boombox (κουτί βόμβου) όταν η συσκευή έχει απενεργοποιηθεί από μόνη της.
 - Η παραπάνω διαδικασία δε θα δουλέψει όταν η συσκευή είναι σε κατάσταση "POWER OFF".
- Για την Λειτουργία αναπαραγωγής CD και Aux μετά την "αφύπνιση" από την αυτόματη απενεργοποίησι(α), παρακαλούμε ανατρέξτε στις οδηγίες λειτουργίας.

ΤΕΧΝΙΚΕΣ ΠΡΟΔΙΑΓΡΑΦΕΣ

FM 88—108 MHz

AM 520 – 1600 kHz

Πηγή ενέργειας: AC:230V-50Hz, DC :9V

Θύρα USB :5VDC, 200mA

Διαστάσεις:24.5x 20x11.8CM

Βάρος:1.18 kgs

ΑΠΟΡΡΙΨΗ ΗΛΕΚΤΡΙΚΟΥ ΚΑΙ ΗΛΕΚΤΡΟΝΙΚΟΥ ΕΞΟΠΛΙΣΜΟΥ



Αυτό το σύμβολο στο προϊόν ή στη συσκευασία σημαίνει ότι το προϊόν δεν θα πρέπει να αντιμετωπίζεται ως οικιακά απορρίμματα. Μην ρίχνετε τα σκουπίδια στο τέλος της ζωής τους, αλλά τα μεταφέρετε σε ένα κέντρο συλλογής για ανακύκλωση. με αυτό τον τρόπο θα συμβάλλετε στην

προστασία του περιβάλλοντος και θα είστε σε θέση να αποτρέψετε τυχόν αρνητικές συνέπειες που θα είχε για το περιβάλλον και την ανθρώπινη υγεία.

Για να βρείτε το πλησιέστερο κέντρο συλλογής:

- Επικοινωνήστε με τις τοπικές αρχές
- Πρόσβαση στον ιστότοπο: www.soundstar.gr
- Ζητήστε πρόσθετες πληροφορίες από το κατάστημα από το οποίο αγοράσατε το προϊόν.

ΔΙΑΝΟΜΕΑΣ: SOUNDSTAR, Α' Παρ. Ανθοκήπων 14, 56429, Νέα Ευκαρπία, Θεσσαλονίκη, www.soundstar.gr

BM004A-614

CD / USB/AM / FM /BTН Boombox



Наръчник за употреба

БГ-БЪЛГАРСКИ

ЕЛЕКТРИЧЕСКО ЗАХРАНВАНЕ

ЗАХРАНВАНЕ ОТ КОНТАКТ

Преди употреба, проверете дали отбелязаното върху апарата напрежение на захранващия контакт отговаря на местния захранващ източник.

Бележка:

Използвайте жака за свързване/изключване на единицата в/от контакта. Изключената единица остава в статус на функциониране.

УПОТРЕБА НА БАТЕРИИТЕ

Изключете захранващия кабел от стенния контакт и от единицата. Мощността на батериите е прекъсната при включване на кабела.

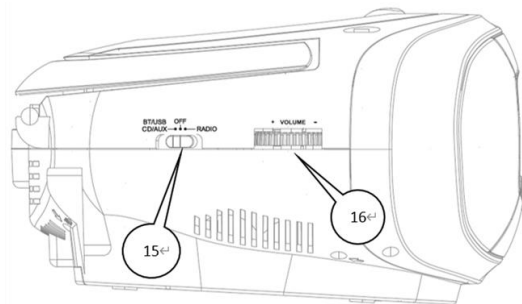
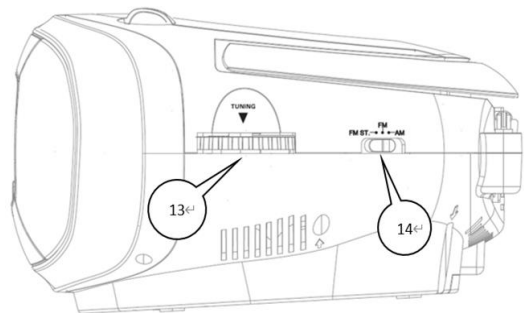
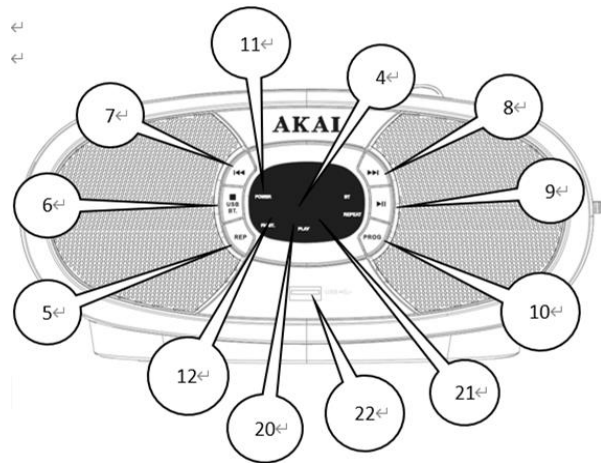
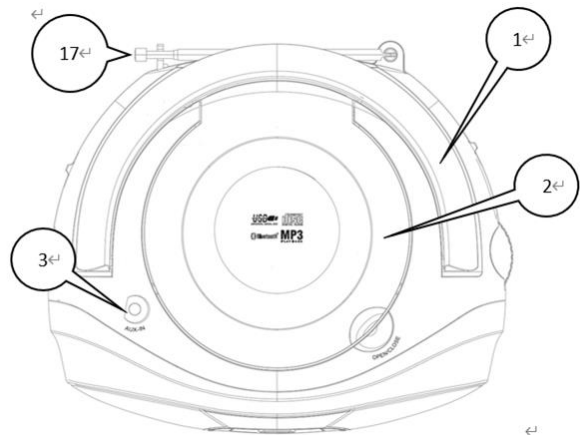
При намаляване на звука или изкривен звук, заменете всички батерии с нови.

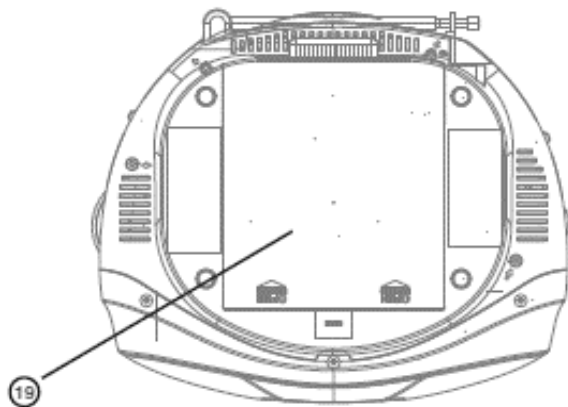
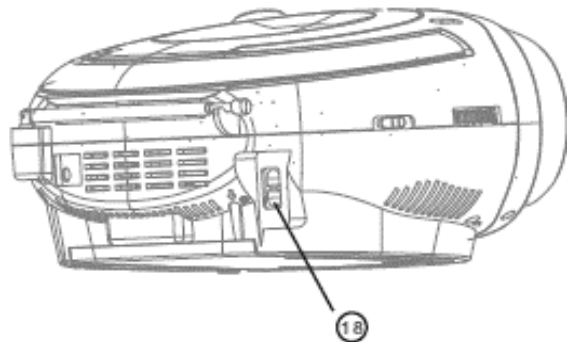
Въведете 6 батерии от 1.5V (R14/UN12/C).

Изхвърлете по отговорен начин батериите от околната среда. Батериите не трябва да се излагат на прекалена топлина, като например слънчеви лъчи, огън или други подобни.

Внимание! Единицата не трябва да се излага на места с висок риск от влага, изпръскване или до съдове с течности, като например вази. -1-

КОНТРОЛНИ ФУНКЦИИ





1. ДРЪЖКА
2. ОТДЕЛЕНИЕ CD
3. ЖАК ЗА СЛУШАЛКИ
4. ДИСПЛЕЙ LCD
5. БУТОН РЕPEAT
6. БУТОН STOP
7. БУТОН SKIP НАЗАД
8. БУТОН SKIP НАПРЕД
9. БУТОН ЗА ВЪЗПРОИЗВЕЖДАНЕ/ПАУЗА
10. БУТОН PROGRAME
11. ИНДИКАТОР МОЩНОСТ
12. FM ST. /USB ИНДИКАТОР
13. БУТОН TUNNING
14. CD/BT/ USB/AUX/РАДИО ИНДИКАТОР
15. СМЯНА НА ФУНКЦИЯ
16. БУТОН ЗВУК
17. АНТЕНА FM
18. ЗАХРАНВАЩ КАБЕЛ
19. ОТДЕЛЕНИЕ БАТЕРИИ
20. ИНДИКАТОР LED PLAY/PAUSE
21. ИНДИКАТОР ЗА ПОВТОРЯВАНЕ
22. USB ПОРТ

ФУНКЦИОНИРАНЕ

Използване на функцията радио

1. Въведете щепсела в главен захранващ контакт.
2. Натиснете бутоните ►||/○. индикатор за захранване ще свети.
3. Изберете функцията RADIO.
4. Плъзнете превключвателя BAND за избиране на лента AM/FM.
5. Въртете контролния бутон TUNING за превключване на желаната радиостанция.
6. Въртете бутона VOLUME за регулиране нивото на звука.
7. За изключване на единицата, настроете бутона Function в позиция OFF. За добро приемане на лентата AM, въртете леко или преместете единицата на различни места в стаята докато получите желаното качество на приемане.
За добро приемане на FM лентата, разгънете разгънете изцяло FM антената. Избягвайте доближаването на високоговорителите или на други електроуреди.

Използване на функцията Music CD Disc

1. Въведете щепсела в главен захранващ контакт.
2. Превключете бутона за смяна на функцията на позиция CD.
3. Отворете отделението за CD като вдигате капака Open/Close. Въведете диска в отделението с изписаната част нагоре.
4. Цялостният брой песни ще бъде представен на LCD дисплея, а единицата ще започва да пуска диска.
5. Press SKIP FORWARD button / SKIP BACKWARD button to jump to next or previous track.
6. Натиснете бутона SKIP FORWARD/SKIP BACKWARD за преминаване към следващата или предишната песен.
7. Натиснете и задържете бутона SKIP FORWARD/SKIP BACKWARD за бързо търсене в една песен за да намерите определен откъс.
8. По време на пускането на диска, натиснете бутона PLAY/PAUSE за прекъсване на пускането и натиснете отново за възобновяване. Индикаторът за пускане ще започва да мига
9. След като всички песни са пуснати, CD плейърът автоматично спира, а общият брой песни ще бъде представен на LCD дисплея.

БЕЛЕЖКА:

Не отваряйте отделения на CD-то по време на пускането или въртенето.

Пускането на други аудио устройства с помощта на апарата

Можете да се радвате на музиката от MP3 плейър, компютър или друго външно аудио устройство (със стерео жак от 3.5 мм), свързан с единицата.

1. Въведете аудио кабела (невключен) с жак от 3.5 мм в двата края в конектора за слушалки или изходящия жак от компютъра или MP3 и другият край на жака AUX-IN от единицата. Подобен кабел намирате в който и да е магазин за електрически уреди.
2. Свържете със захранващия контакт или с батериите
3. Плъзнете превключвателя FUNCTION в позиция AUX.
4. Включете MP3 плейъра или компютъра, регулирайте контрола над звука от MP3 плейъра или компютъра и настройте на желаното ниво.
5. Натиснете и задържете бутона натиснат за 3 секунди за изключване

Пускане 1 песен / повтаряне на всички песни

6. По време на пускането на CD-то, натиснете бутона SKIP FORWARD/SKIP BACKWARD, за избиране на песента, която желаете да се повтаря.
7. Натиснете бутона REP първият път и единицата ще пусне желаната песен повторно. "REP" ще се появи на LCD дисплея.
8. По време на пускането на CD-то, натиснете бутона REP продължително докато "REP ALL" се появи на LCD дисплея. Единицата ще пуска всички песни от диска повторно.
9. За анулиране на настройката, натиснете бутона REP продължително докато индикаторът REP изчезне от LCD дисплея.

Програмиране на песните (до 20 песни)

1. Зареждайте желаното CD за да бъде програмиран.
2. Уверете се, че CD-то е изключен.
3. Натиснете бутона PROG веднъж и "0 1 PROG" ще се появи на LCD дисплея.
4. Натиснете бутона SKIP FORWARD/ SKIP BACKWARDS докато се стигне до броя на желаната песен.

5. Натиснете бутона PROG за запаметяване на избора.
6. Натиснете бутона PROG отново за търсене на програмираните песни. Натиснете бутона PROG веднъж за избиране на позицията за програмиране и след това можете да слушате програмираната песен или можете да програмирате нова песен.
7. Повторете стъпките (4) и (5) докато въвеждате всички песни.
8. След пускане на всички песни от паметта, единицата автоматично изключва.

Пускане на програмираните песни

1. По време на пускането на програмата, натиснете бутона REP веднъж и се повтаря програмираната песен.
2. Натиснете отново бутона REP и ще бъдат повторени всички програмирани песни.

ПУСКАНЕ USB / MP3

1. Въведете щепсела в главен захранващ контакт.
2. Изберете Функционален превключвател в USB позиция.
3. Натискайте бутона Stop/Function докато се покаже "U".
4. Свържете устройството USB с USB порта за пускане на музика във формат MP3.

5. Можете да натиснете "Fast forward", "Fast Backward", "Play/Pause", "Stop" за управление на MP3 възпроизвеждането.
6. За да изключите захранването на устройството, задайте превключвателя Function на позиция OFF, за да изключите.

BLUETOOTH ВЪЗПРОИЗВЕЖДАНЕ

1. Поставете източника на захранване.
2. Изберете превключвателя Function на позиция USB.
3. Натискайте бутона Stop/Function докато се покаже "BT".
4. Свържете смартфона си към устройството (име: BM004A-614) за възпроизвеждане на MP3 музика.
5. Можете да натиснете "Fast forward", "Fast Backward", "Play/Pause", "Stop" за управление на MP3 възпроизвеждането, но за предпочитане вместо това да използвате смартфона.

ФУНКЦИЯ AUTO POWER OFF

- Когато единицата не пуска песните от CD или Aux IN, тя автоматично спира след 10 минути.
- Потребителят може да натисне бутона “Play” за ново включване на апарата когато той автоматично изключва.
- Гореспоменатата функция няма да действа когато единицата е изключена.
- За пускане на песните от функция CD и Aux след като единицата автоматично изключва след 10 минути, молим Ви да прочетете инструкциите за употреба.

ВНИМАНИЕ! Вентилацията не трябва да се запушва с покриване на вентилационните отвори с предмети, като например вестници, покривки, пердета и др.

ТЕХНИЧЕСКИ СПЕЦИФИКАЦИИ

FM 88 – 108 MHz

Захранваща мощност: AC: 230V~50Hz, DC: 9V

USB Порт: 5 VDC, 200 mA

Размери: 24.5 x 20 x 11.8 CM

Тегло: 1.18 KGS

ИЗХВЪРЛЯНЕ НА ЕЛЕКТРИЧЕСКО И ЕЛЕКТРОННО ОБОРУДВАНЕ



Този символ върху продукта или върху опаковката му показва, че продуктът не може да се третира по същия начин като битовите отпадъци. Не го изхвърляйте с битовите отпадъци в края на живота му, а го предайте в център за рециклиране. По този начин ще спомогнете за опазването на околната среда и ще можете да предотвратите всякакви негативни последици, които би имало върху околната среда и човешкото здраве. За да намерите най-близкия център за събиране:

- Свържете се с местните власти
- Достъп до уебсайта: <http://www.damtn.government.bg/>
- Поискайте допълнителна информация от магазина, от който сте закупили продукта.

ВНОСИТЕЛ: S.C. INTERVISION TRADING-RO S.R.L.

бул. И.К. Бръгяну, № 48-52, тяло А, етаж 5,

стая 504-505, град Питещ, окръг Арджеш, Румъния

Пощ. код: 110121

BM004A-614

CD / USB/AM / FM /BTH Zenelejátszó



Használati útmutató

HU - MAGYAR

ÁRAMELLÁTÁS

ALJZATHOZ VALÓ CSATLAKOZTATÁS

Használat előtt ellenőrizze, hogy a tápfeszültség megfelel az egység gyártójának ajánlásaival.

Megjegyzés:

A készülék aljzathoz való csatlakoztatásához használja a csatlakozót.

Az áramellátás megszakítása után a készülék továbbra is működik.

AKKU HASZNÁLATA

Húzza ki a tápkábelt a fali aljzathoz és a készülékből. Az akkumulátor tápellátása kikapcsol, ha a tápkábel csatlakoztatva van.

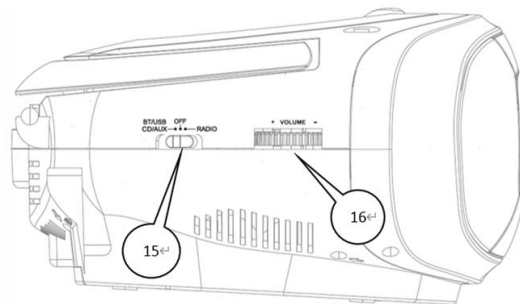
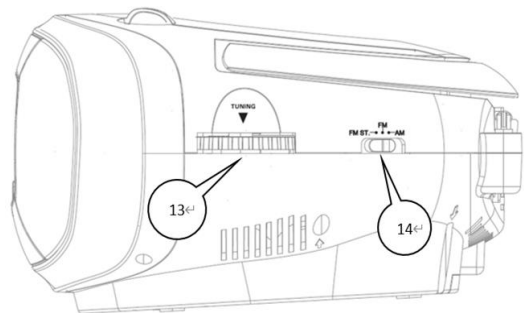
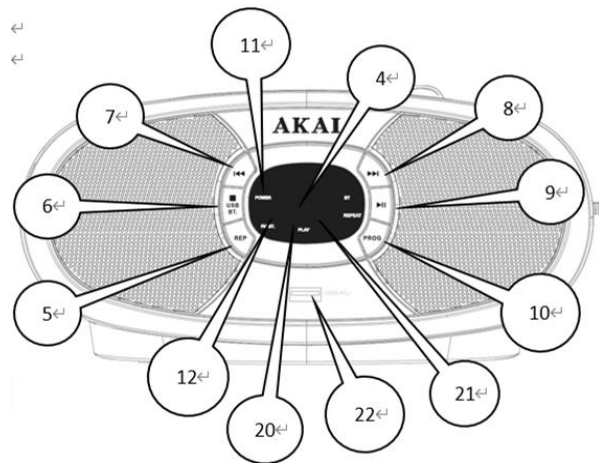
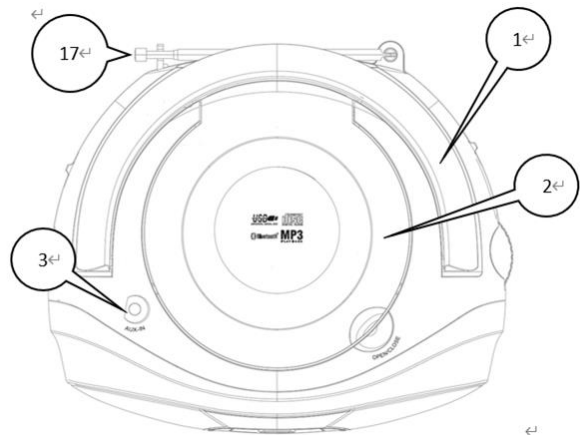
Amennyiben a hangerő csökken, vagy a hang torzul, cserélje ki az elemeket újakra.

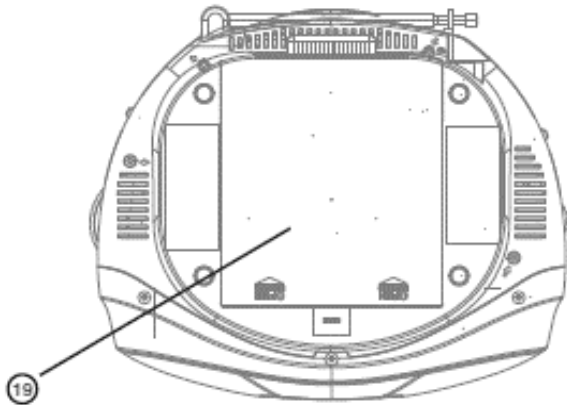
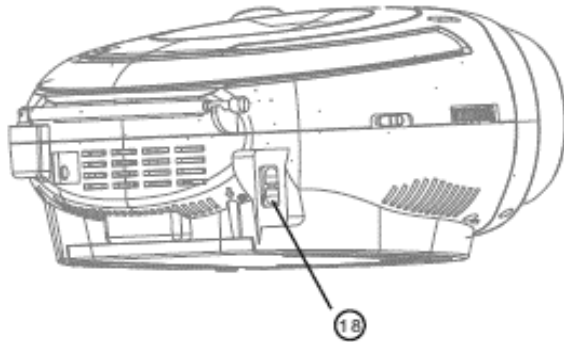
A rekeszbe helyezzen be 6 db 1.5V (R14/UN12/C) elemet.

A környezet védelmére, felelős módon távolítsa el az elhasznált elemeket. Az elemeket ne tegye ki túlzott hőnek, például napsugárzásnak, tűznek vagy hasonlóknak.

Figyelem! A készüléket ne tegye ki magas nedvességszint, fröccsenés kockázat vagy folyadékot tartalmazó edények közelébe, például vázák.

IRÁNYÍTÓ FUNKCIÓK





1. FOGANTYÚ
2. CD REKESZ
3. FEJHALLGATÓ CSATLAKOZÓ
4. LCD kijelző
5. ISMÉTLŐ GOMB
6. STOP GOMB
7. UGRÁS VISSZA GOMB
8. UGRÁS ELŐRE GOMB
9. LEJÁTSZÁS/SZÜNET GOMB
10. BETÁPLÁLÁS GOMB
11. TELJESÍTMÉNY JELZŐ
12. FM ST /USB KIJELZŐ
13. KERESŐ GOMB
14. CD/BT/ USB/AUX/RÁDIÓ KIJELZŐ
15. FUNKCIÓ VÁLTOZTATÁS
16. HANGERŐ GOMB
17. FM ANTENNA
18. ÁRAMELLÁTÓ TÁPKÁBEL
19. AKKU REKESZ
20. LEJÁTSZÁS/SZÜNET LED JELZŐ
21. REPEAT (ISMÉTLÉS) JELZŐ
22. USB port

MŰKÖDÉS

Rádió funkció használata

1. Csatlakoztassa a dugaszt az áramellátó aljzathoz
2. Válassza ki a RÁDIÓ funkciót
3. Csúsztassa a BAND kapcsolót az AM / FM sáv kiválasztásához.
4. Forgassa el a TUNING vezérlőgombot a kívánt rádióállomás megkereséséhez.
5. Fordítsa el a VOLUME gombot a hangerő beállításához.
6. A készülék kikapcsolásához állítsa a Function gombot az OFF pozícióba. Az AM sáv jobb vételének érdekében könnyedén forgassa vagy mozgassa a készüléket a helyiség különböző területein, amíg a kívánt vétel megfelelő lesz.
A jó FM-vétel érdekében húzza ki az FM-antennát. Kerülje a hangszórók vagy más elektromos készülékek közelségében való elhelyezést.

A Music CD Disc funkció használata

1. Csatlakoztassa a dugaszt az áramellátó aljzathoz.
2. Kapcsolja a funkciókapcsolót a CD pozícióba.
3. Nyissa ki a CD-rekeszt, felemelve az Open / Close tetőt. Helyezze a lemezt a rekeszbe, a címkézett oldalával felfelé.
4. A zenedarabok számozása megjelenik az LCD kijelzőn, és a készülék elkezd lejátszani a lemezt.
5. Nyomja meg a SKIP FORWARD / SKIP BACKWARD gombot a következő vagy az előző műsorszámra lépéshez.
6. Nyomja meg és tartsa lenyomva a SKIP FORWARD / SKIP BACKWARD gombot, a zeneszámokban való gyors kereséshez, az adott rész megtalálásához.
7. A lemez lejátszása közben nyomja meg a PLAY / PAUSE gombot a lejátszás szüneteltetéséhez, és nyomja meg újra a lejátszás folytatásához. A lejátszás jelző villogni kezd.
8. Nyomja meg a STOP gombot a CD lejátszásának leállításához, és a műsorszámok számozása megjelenik az LCD képernyőn.
9. Miután minden szám lejátszásra került, a CD-lejátszó automatikusan kikapcsol, és a műsorszámok számozása megjelenik az LCD képernyőn.

MEGJEGYZÉS:

Ne nyissa ki a CD-rekeszt a lejátszás vagy forgás közben.

Először nyomja meg a STOP gombot.

Ez a készülék CD formátumban képes zenét lejátszani.

Egyéb audio eszközökön rögzített felvételek lejátszása a készülékkel

A készülékhez csatlakoztatott MP3-lejátszóval, számítógéppel vagy egyéb külső hangszelével (3,5 mm-es sztereó csatlakozóval) is hallgathat zenét .

- 1.Csatlakoztasson egy, mindkét végén 3,5 mm-es aljzattal rendelkező audiokábelt (nem tartozék), a fehallgató csatlakozójához vagy a számítógép vagy MP3 kimeneti csatlakozójához, és a másik végét a készülék AUX-IN aljzatához. Ilyen kábel bármely elektromos boltban megvásárolható.
- 2.Csatlakoztassa a tápkábelt az aljzathoz vagy az akkumulátorhoz.
- 3.Csúsztassa a FUNCTION kapcsolót az AUX pozícióba.
- 4.Kapcsolja be MP3 lejátszóját vagy számítógépét, állítsa be az MP3 lejátszó vagy a számítógép hangerőszabályozóját, és állítsa be a kívánt szintet.
- 5.Kapcsolja a Funkció kapcsolót KI állásba a kikapcsoláshoz.

REPEAT 1 / REPEAT ALL

1. A CD lejátszása közben nyomja meg a SKIP FORWARD / SKIP BACKWARD gombot az ismétlődő szám kiválasztásához.
2. Nyomja meg először a REP gombot, és a készülék ismételten lejátsza a kívánt műsorszámot. A kijelzőn megjelenik a "REP" felirat.
3. A beállítás törléséhez nyomja meg a REP gombot, amíg a "REP" el nem tűnik az LCD képernyőről.
4. A CD lejátszása közben nyomja meg a REP gombot addig, amíg a "REP ALL" felirat meg nem jelenik az LCD képernyőn. A készülék a lemezen lévő összes zeneszámot ismételten lejátsza. A beállítás törléséhez nyomja meg a REP gombot, amíg a "REP" el nem tűnik az LCD képernyőről

To Program Specific Tracks (up to 20 Tracks)

1. Helyezze be a kívánt CD-t a programozáshoz.
2. Győződjön meg róla, hogy a CD ki van kapcsolva.
3. Nyomja meg egyszer a PROG gombot, és a "0 1 PROG" felirat jelenik meg az LCD képernyőn.
4. Nyomja meg a SKIP FORWARD / SKIP BACKWARDS gombot, amíg el nem éri a kívánt számot.
5. Nyomja meg a PROG gombot a választás memorizálásához.
6. Nyomja meg újra a PROG gombot a programozott műsorszámok

kereséséhez. Nyomja meg egyszer a PROG gombot a programozási pozíció kiválasztásához, majd hallgassa meg a programozott műsorszámot vagy programozza be az új műsorszámot.

7. Ismétlje meg a (4) és (5) lépéseket, amíg az összes zeneszámot betáplálja.
8. Miután a memória összes műsorszáma lejátszódott, a készülék automatikusan leáll.

A betárolt zeneszámok ismétlése

1. A program lejátszása közben nyomja meg egyszer a REP gombot, és ismétlje meg a programozott műsorszámot.
2. Nyomja meg ismét a REP gombot, és ismétlje meg az összes programozott számot.
Nyomja meg a Stop gombot a programozott műsorszámok ismételt lejátszásának megszakításához.

USB / MP+ LEJÁTSZÁS

1. Csatlakoztassa a dugaszt az áramellátó aljzathoz.
2. Helyezze a forgatható kapcsolót a RÁDIÓ pozícióba.
3. Nyomja meg a Stop / Function gombot amíg megjelenik az „U” jelzés

4. Csatlakoztassa az USB eszközt az USB porthoz az MP3 formátumú zene lejátszásához.

5. Megnyomhatja a „Fast forward”, „Fast Backward”, „Play/Pause”, „Stop” gombokat az MP3 lejátszás vezérléséhez.
6. Az egység áramellátásának kikapcsolásához, állítsa be a „Function” kapcsolót OFF állásba a kikapcsoláshoz.

BLUETOOTH LEJÁTSZÁS

1. Csatlakoztassa az áramellátást.
2. Állítsa be a Function kapcsolót az USB állásba
3. Nyomja meg a Stop / Function gombot amíg megjelenik a „BT”jelzés
4. Csatlakoztassa okostelefonját a készülékhez (név: BM004A-614) MP3 zenelejátszásához.
5. Megnyomhatja a „Fast forward”, „Fast Backward”, „Play / Pause”, „Stop” gombokat az MP3 lejátszás vezérléséhez, de ajánlottabb az okostelefon használata.

AUTO POWER OFF FUNKCIÓ

- Ha a készülék nem játszik le zeneszámokat CD-n vagy Aux In-on, akkor 10 perc elteltével automatikusan kikapcsol.
- A felhasználó megnyomhatja a "Lejátszás" gombot a BOOMBOX újraindításához, miután ez önmagától kikapcsol.
- A fenti művelet nem működik, amennyiben a készüléket ki van kapcsolva.
- A CD és Aux funkcióból való lejátszásához, a készülék 10 perc utáni automatikus kikapcsolása után, kérjük, olvassa el a használati utasítást.

FIGYELEM! A szellőzést nem akadályozhatja a szellőzőnyílások eltakarása függönnyel, abrosszal, újsággal, stb.

MŰSZAKI LEÍRÁS

FM 88-108 MHz

Áramellátás teljesítmény AC: 230V~50Hz, DC: 9V

USB Port: 5 VDC, 200 mA

Méretetek: 24.5 x 20 x 11.8

Tömeg: 1.18 KGS

ELEKTROMOS ÉS ELEKTRONIKUS BERENDEZÉSEK

MEGSEMMISÍTÉSE



Ez a jelzés a terméken vagy ennek csomagolásán azt jelzi, hogy a termék nem kezelhető háztartási hulladékként. Élettartama végén ne dobja a háztartási hulladékba, hanem adja le egy hulladékgyűjtő udvarban újrahasznosítás céljából.

Ily módon elősegíti a környezet védelmét és hozzájárul a környezetre és az emberi egészségre gyakorolt negatív következmények megakadályozásához.

A legközelebbi hulladékgyűjtő udvar megtalálása érdekében:

- Vegye fel a kapcsolatot a helyi hatóságokkal
- Látogassa meg a következő weboldalt: <http://ktvktvf.zoldhatosag.hu/> ;
- További információkért forduljon ahhoz az üzlethez ahol a terméket vásárolta.

IMPORTŐR: S.C. INTERVISION TRADING-RO S.R.L.

Bld. I.C. Brătianu, 48-52. szám, A épület, 5. emelet,
504-505 iroda, Pitești város, Argeș megye, Románia

Irányítószám: 110121

BM004A-614

CD / USB/AM / FM /BTH Boombox



Instrukcja obsługi

PL - POLSKI

ZASILANIE ELEKTRYCZNE

ZASILANIE Z GNIAZDKA

Przed użyciem sprawdź, czy napięcie zasilania jest zgodne z zaleceniami producenta urządzenia.

Przypis:

Użyj wtyczki do podłączenia/odłączenia urządzenia do/z gniazdka.

Odłączone urządzenie pozostaje w trybie działania.

WYKORZYSTANIE BATERII

Odłącz przewód zasilający od gniazda ściennego i urządzenia. Moc baterii jest wyłączany po podłączeniu przewodu.

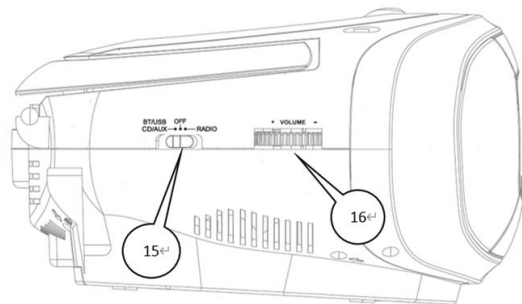
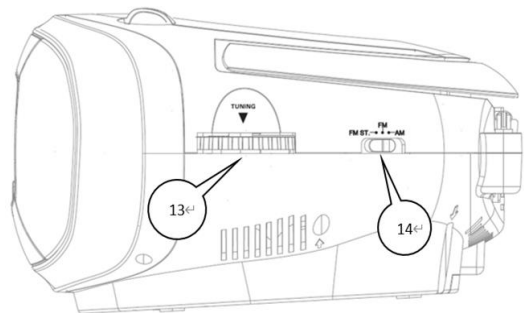
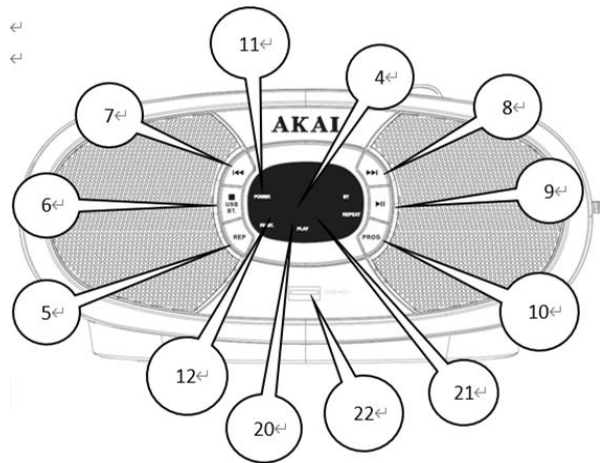
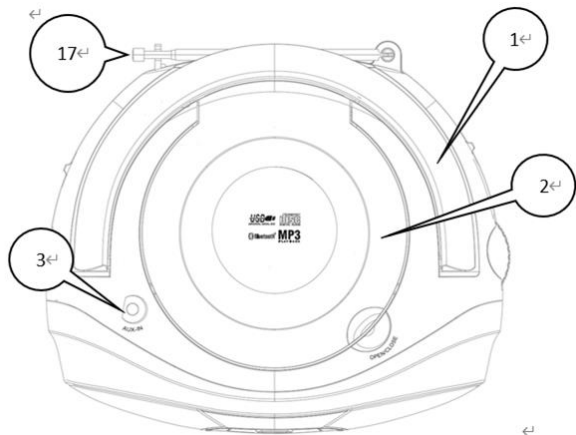
Gdy głośność spadnie lub dźwięk jest zniekształcony, wymień wszystkie baterie na nowe.

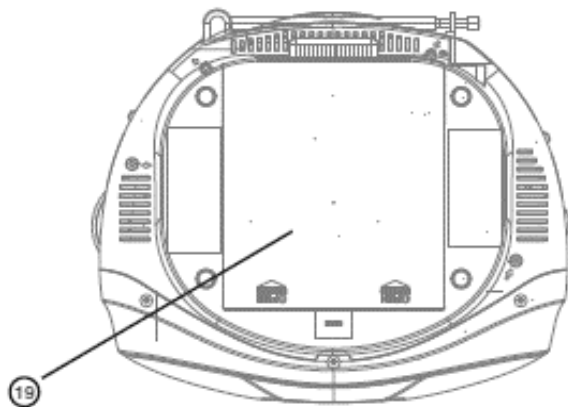
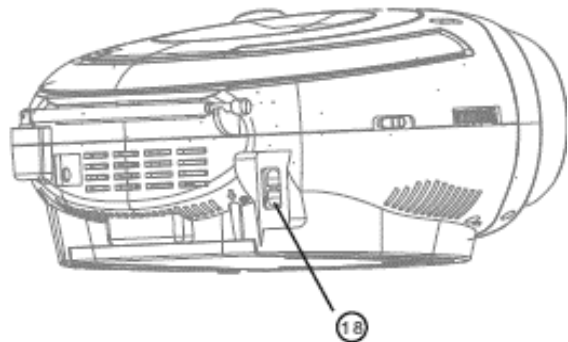
Włóż 6 baterii 1,5 V (R14/UN12/C).

Pozbywaj się baterii ze środowiska naturalnego w sposób odpowiedzialny. Baterie nie powinny być narażone na nadmierne ciepło, takie jak promienie słoneczne, ogień lub podobne.

Uwaga! Urządzenie nie powinno być wystawiane na miejsca o wysokim ryzyku wilgoci, rozpryskiwania lub w pobliżu pojemników z cieczami, takimi jak wazony.

FUNKCJE STEROWANIA





1. UCHWYT
2. KIESZEŃ NA PŁYTĘ CD
3. WTYCZKA DLA SŁUCHAWEK
4. WYŚWIETLACZ LCD
5. PRZYCISK REPEAT
6. PRZYCISK STOP
7. PRZYCISK SKIP DO TYŁU
8. PRZYCISK SKIP DO PRZODU
9. PRZYCISK ODTWARZANIA / WSTRZYMANIA
10. PRZYCISK PROGRAMOWANIA
11. WSKAŹNIK MOCY
12. WSKAŹNIK ST FM/USB
13. PRZYCISK TUNNING
14. WSKAŹNIK CD/BT/ USB/AUX/RADIO
15. ZMIANA FUNKCJI
16. PRZYCISK GŁOŚNOŚCI
17. ANTENA FM
18. PRZEWÓD ZASILANIA ELEKTRYCZNEGO
19. KOMORA BATERII
20. WSKAŹNIK LED PLAY/PAUSE
21. WSKAŹNIK REPEAT STATUS
22. PORT USB

OBSŁUGA

Korzystanie z funkcji Radio

1. Podłącz wtyczkę do głównego gniazdka ściennego.
2. Wybierz funkcję RADIO.
3. Przesuń przełącznik BAND, aby wybrać pasmo AM/FM.
4. Obróć pokrętkę sterowania TUNING, aby przełączyć na żadaną stację radiową.
5. Obróć pokrętkę VOLUME, aby wyregulować poziom głośności dźwięku.
6. Aby wyłączyć urządzenie, ustaw przycisk Function na pozycję OFF. Aby uzyskać dobry odbiór pasma AM, obracaj lekko lub przestawiaj urządzenie w różne obszary pomieszczenia, aż uzyskasz pożądaną odbiór.

Aby uzyskać dobry odbiór pasma FM, całkowicie wysuń antenę FM. Unikaj zbliżania się do głośników lub innych urządzeń elektrycznych.

Korzystanie z funkcji Music CD Disc

1. Podłącz wtyczkę do głównego gniazdka ściennego.
2. Ustaw przełącznik funkcji na pozycję CD.
3. Otwórz napęd CD, podnosząc szufladkę Open/Close. Włóż dysk do napędu zapisaną stroną do góry.
4. Całkowita liczba utworów pojawi się na wyświetlaczu LCD, a urządzenie rozpocznie odtwarzanie płyty.
5. Naciśnij przycisk SKIP FORWARD/SKIP BACKWARD, aby przejść do następnego lub poprzedniego utworu.
6. Naciśnij i przytrzymaj przycisk SKIP FORWARD/SKIP BACKWARD, aby szybko wyszukać w utworze określony jego fragment.
7. Podczas odtwarzania płyty naciśnij przycisk PLAY/PAUSE, aby wstrzymać odtwarzanie i naciśnij ponownie, aby wznowić odtwarzanie. Wskaźnik odtwarzania zacznie migać.
8. Naciśnij przycisk STOP, aby zatrzymać odtwarzanie CD, a całkowita liczba utworów pojawi się na wyświetlaczu LCD.
9. Po odtworzeniu wszystkich utworów odtwarzacz CD wyłączy się automatycznie, a całkowita liczba utworów zostanie również wyświetlona na wyświetlaczu LCD.

ADNOTACJA:

Nie otwieraj kieszeni na płyty CD podczas odtwarzania lub obracania.

Przed tą czynnością naciśnij przycisk STOP.

To urządzenie może odtwarzać muzykę w formacie CD

Odtwarzanie innych urządzeń audio za pomocą radiomagnetofonu

Możesz słuchać muzyki z odtwarzacza MP3, komputera lub innego zewnętrznego urządzenia audio (ze stereofoniczną wtyczką 3,5 mm) podłączonego do urządzenia.

1. Włóż kabel audio (brak w zestawie) z gniazdem 3,5 mm na obu końcach do złącza słuchawek lub gniazda wyjściowego w komputerze lub MP3, a drugi koniec do gniazda AUX-IN w urządzeniu. Znajdziesz taki kabel w każdym sklepie elektrycznym.
2. Podłącz do gniazdka elektrycznego lub baterii.
3. Przesuń przełącznik FUNCTION do pozycji AUX.
4. Włącz odtwarzacz MP3 lub komputer, wyreguluj głośność odtwarzacza MP3 lub komputera i ustaw żądany poziom.
5. Ustaw przełącznik funkcji w pozycji OFF, aby wyłączyć zasilanie.

Powtórz 1 / Powtórz Wszystko

1. Podczas odtwarzania płyty CD naciśnij przycisk SKIP FORWARD / SKIP BACKWARD, aby wybrać utwór, który chcesz powtórzyć.
2. Naciśnij przycisk REP po raz pierwszy, a urządzenie będzie wielokrotnie odtwarzać żądany utwór. "REP" pojawi się na wyświetlaczu LCD.
3. Aby anulować ustawienie, naciśnij przycisk REP, aż napis "REP" zniknie z wyświetlacza LCD.
4. Podczas odtwarzania płyty CD naciskaj przycisk REP, dopóki na wyświetlaczu LCD nie pojawi się napis "REP ALL". Urządzenie będzie odtwarzać wielokrotnie wszystkie utwory na płycie.
5. Aby anulować ustawienie, naciśnij przycisk REP, aż napis "REP" zniknie z wyświetlacza LCD

Zapisywanie utworów (do 20 utworów)

1. Załaduj do zapisania żadaną płytę CD.
2. Upewnij się, że dysk CD jest w trybie wyłączony.
3. Naciśnij jeden raz przycisk PROG, a na wyświetlaczu LCD pojawi się "0 1 PROG".
4. Naciśnij przycisk SKIP FORWARD/ SKIP BACKWARDS, aż osiągnięty zostanie żądany numer utworu.
5. Naciśnij przycisk PROG aby zapisać wybrany utwór.
6. Ponownie naciśnij przycisk PROG, aby wyszukać zapisane utwory. Naciśnij przycisk PROG jeden raz, aby wybrać pozycję programowania, a następnie posłuchaj zapisanego utworu lub zapisz nowy utwór.
7. Powtarzaj kroki (4) i (5), dopóki nie wprowadzisz wszystkich utworów.
8. Po odtworzeniu wszystkich zapisanych utworów, urządzenie wyłączy się automatycznie.

Powtarzanie zapisanych utworów

1. Podczas odtwarzania programu naciśnij jeden raz przycisk REP i powtórz zapisany utwór.
2. Naciśnij ponownie przycisk REP i powtórz wszystkie zapisane

utwory. Naciśnij przycisk Stop, aby anulować powtarzanie odtwarzania zapisanych utworów.

ODTWARZANIE USB / MP3

1. Podłącz wtyczkę do głównego gniazdka ściennego.
2. Ustaw pokrętkę na pozycję RADIO
3. Należy nacisnąć przycisk Stop / Function aż pojawi się „U”.
4. Włóż pamięć USB do portu USB, aby odtwarzać muzykę w formacie MP3.
5. Można nacisnąć “Fast forward”, “Fast Backward”, “Play/Pause”, “Stop” aby sterować odtwarzaniem MP3.
6. Aby wyłączyć zasilanie urządzenia, ustaw przełącznik „Function” w pozycji OFF

ODTWARZANIE BLUETOOTH

1. Załącz zasilacz
2. Ustaw przełącznik funkcji w pozycji USB.
3. Należy nacisnąć przycisk Stop / Function aż pojawi się ”BT”.
4. Podłącz swój smartfon do urządzenia (nazwa: BM004A-614).
dla odtwarzania muzyki w formacie MP3.

5. Można nacisnąć „Fast forward”, „Fast Backward”, „Play / Pause”, „Stop” aby sterować odtwarzaniem MP3, ale najlepiej robić to za pomocą smartfona.

Funkcja Auto Power Off

- Gdy urządzenie nie odtwarza utworów z płyty CD lub Aux IN, wyłączy się ono automatycznie po 10 minutach.
- Użytkownik może nacisnąć przycisk "Play", aby ponownie uruchomić BOOMBOX, po jego samoistnym wyłączeniu.
- Powyższa czynność nie zadziała wtedy, kiedy urządzenie zostanie wyłączone.
- Aby odtwarzać utwory z funkcji CD i Aux po automatycznym wyłączeniu urządzenia po 10 minutach, zapoznaj się z instrukcją obsługi.
- UWAGA! Wentylacja nie powinna być ograniczona przez przykrycie otworów wentylacyjnych przedmiotami, takimi jak gazety, obrusy, zasłony, itp.

DANE TECHNICZNE

FM 88 – 108 MHz

Moc zasilania: AC: 230V~50Hz, DC: 9V

Port USB: 5 VDC, 200 mA

Wymiary: 24.5 x 20 x 11.8 CM

Ciężar: 1,18 KGS

UTYLIZACJA SPRZĘTU ELEKTRYCZNEGO I ELEKTRONICZNEGO



Ten symbol na produkcie lub na opakowaniu oznacza, że produktu nie można traktować jako odpadu domowego. Nie wyrzucaj zużyty sprzęt wraz

z odpadami domowymi lecz oddaj go do centrum

recyklingu. W ten sposób pomożesz chronić środowisko i będziesz w stanie zapobiec wszelkim negatywnym konsekwencjom, jakie nieodpowiednia utylizacja może mieć dla środowiska i zdrowia ludzi.

Aby znaleźć najbliższy punkt utylizacji:

-Skontaktuj się z lokalnymi władzami

-Wejdź na stronę internetową: www.mos.gov.pl

-Poproś o dodatkowe informacje w sklepie, w którym kupiłeś produkt.

IMPORTER: INTERVISION TRADING-RO S.R.L.

Bld. I.C. Brătianu, Nr. 48-52, Corp A, Piętro 5,

Pokój 504-505, Miasto Pitești, Województwo Argeș, Rumunia

Kod pocztowy: 110121

BM004A-614

CD / USB/AM / FM /BTH Boombox



Příručka uživatele

CZ-ČESKÝ

ELECTRICKÉ NAPÁJENÍ

NAPÁJENÍ OD ZÁSUVKY

Než používáte přístroj, ověřte zda napětí napájecí zásuvky specifikované na přístroji odpovídá zdroji místního napájení.

Poznámka: Použijte konektor pro zapojení/odpojení jednotky do/od zásuvky. Odpojená jednotka zůstane v stavu provozu.

POUŽITÍ BATERIÍ

Odpojte napájecí kabel od zásuvky ve zdi a z jednotky. Výkon baterií je přerušen když je kabel zapojen.

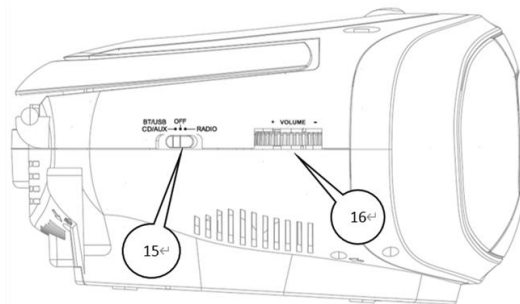
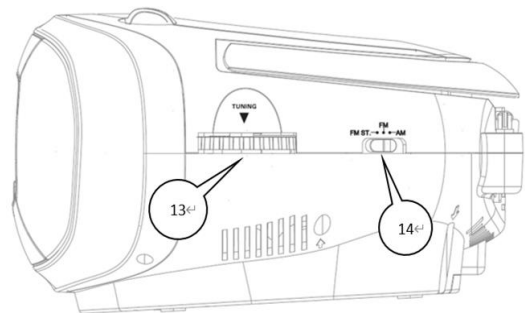
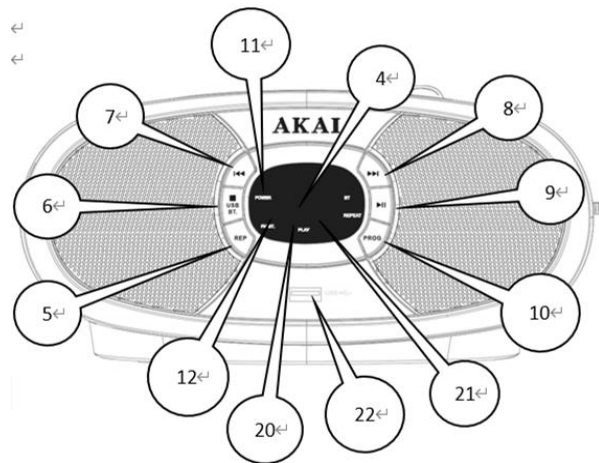
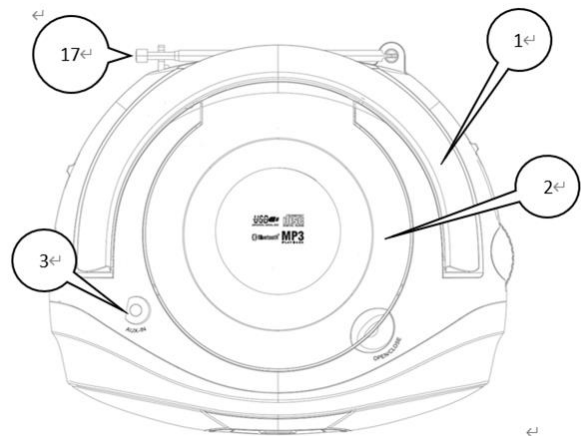
Když hlasitost se snižuje, nebo je zvuk zkresleným nahradte všechny baterie novými.

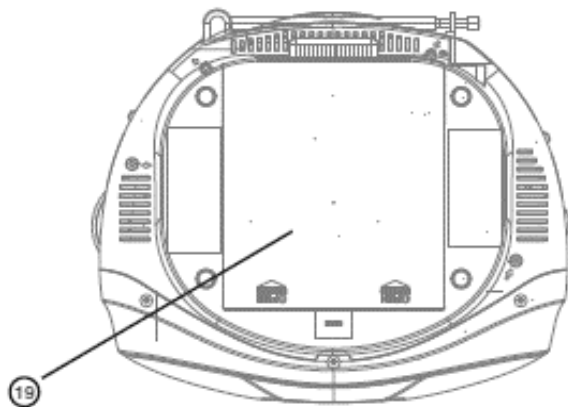
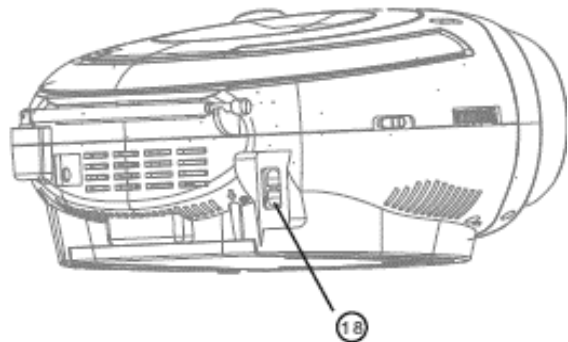
Vložte 6 baterií 1.5V (R14/UN12/C).

Odstraňte baterie z okolního prostředí vhodným způsobem. Baterie nesmí být vystaveny na nadměrné teplo, ohen nebo jiné podobné.

Upozornění! Jednotka nesmí být vystavena na místech se zvýšeným rizikem vlhkosti, stříkání nebo vedle nádob s tekutinami, jako například vazy.

OVLÁDACÍ FUNKCE





1. DRŽADLO
2. PŘIHRÁDKA
3. KONEKTOR PRO SLUCHÁTKA
4. DISPLAY LCD
5. TLAČÍTKO REPEAT
6. TLAČÍTKO STOP
7. TLAČÍTKO SKIP DOZADU
8. TLAČÍTKO SKIP DOPŘEDU
9. TLAČÍTKO PŘEHRÁT/POZASTAVIT
10. TLAČÍTKO PROGRAMU
11. UKAZATEL NAPÁJENÍ
12. INDIKATOR ST FM/USB
13. TLAČÍTKO TUNING
14. INDIKATOR CD/BT/USB/AUX/RÁDIO
15. ZMĚNA FUNKCE
16. TLAČÍTKO HLASITOSTI
17. ANTÉNA FM
18. NAPÁJECÍ PROUDOVÝ KABEL
19. PŘIHRÁDKA NA BATERIE
20. INDIKÁTOR LED PLAY/PAUSE
21. INDIKÁTOR STATUS OPAKOVÁNÍ
22. USB port

PROVOZOVÁNÍ

Použití funkce Rádio

1. Vložte zástrčku do hlavní napájecí zásuvky.
2. Vyberte funkci RÁDIO.
3. Otočte přepínačem BAND abyste zvolili pásmo AM/FM
4. Otočte ovládacím tlačítkem TUNING abyste přepínali na požadované rádiovou stanici.
5. Otočte tlačítkem VOLUME pro nastavení hlasitosti zvuku.
6. Pro zastavení jednotky, nastavte tlačítko Function v pozici OFF.
Pro dobrý příjem pásma AM, lehce otočte nebo umístěte jednotku na různých místech pokoje až dosáhnete požadovaného příjmu.
Pro dobrý příjem pásma FM, úplně rozšiřte anténu FM.
Vyvarujte se být v okolí reproduktorů nebo jiných elektrických přístrojů.

Použití funkce Music CD Disk

1. Vložte zástrčku do hlavní zásuvky napájení
2. Přepínejte tlačítko změny funkce na pozici CD.
3. Otevřete příhradku pro CD tím, že zdvihnete zásuvku Open/Close. Vložte disk do příhrádky s napsanou stranou nahoře.
4. Kompletní počet skladeb se zobrazí na displeji LCD, a jednotka začne přehrávat disk.
5. Stiskněte tlačítko SKIP FORWARD/SKIP BACKWARD abyste přesli na následující nebo předchozí skladbu.
6. Stiskněte a podržte tlačítko SKIP FORWARD/SKIP BACKWARD pro rychlé vyhledávání v jedné skladbě, pro stanovení místa určité pasáže.
7. Během převinutí disku stiskněte tlačítko PLAY/PAUSE abyste přerušili přehrávání a stiskněte znovu pro přehrávání. Indikátor přehrávání začne blikat.
8. Stiskněte tlačítko STOP pro zastavení přehrávání CD, a celkový počet skladeb se zobrazí na displeji LCD.
9. Poté co všechny skladby byly přehrávány, CD přehraavače se automaticky zastaví a celkový počet skladeb se zobrazí na displeji LCD.

POZNÁMKA:

Nesmíte otevřít příhrádku CD během přehrávání nebo otáčení.

Dříve stiskněte tlačítko STOP.

Tento přístroj může přehrávat hudbu ve formátu CD.

Přehrávání jiných audiozařízení pomocí daného přístroje.

Můžete mít radost z hudby z přehrahače MP3, počítače nebo jiného externího audio zařízení (s konektorem stereo 3.5mm) připojeného k jednotce.

1. Vložte audio kabel (nezahrnutý) s konektorem 3.5mm na obou koncích do konektoru pro sluchátka nebo do konektoru výstupu počítače nebo MP3 a druhý konec do konektoru AUX-IN jednotky. Můžete koupit takový kabel v jakémkoliv obchodu pro elektrické přístroje.
2. Zapojte k napájecí zásuvce nebo k bateriám.
3. Otočte přepínačem FUNCTION do polohy AUX.
4. Spust'ete přepínač MP3 nebo počítač, nastavte kontrolu hlasitosti od přehrahače MP3 nebo od počítače a nastavte la požadovanou úroveň.

5. Stiskněte a podržte tlačítko Play na 3 sekundy pro zavření.

Opakování 1 skladby / opakování všech skladeb

1. Během přehrávání CD, stiskněte tlačítko SKIP FORWARD/SKIP BACKWARD, pro volbu skladby, kterou chcete opakovat.
2. Stiskněte tlačítko REP prvníkrát a jednotka bude opakovaně přehrávat požadovanou skladbu. "REP" se zobrazí na displeji LCD.
3. Pro zrušení volby, stiskněte tlačítko REP až "REP" zmizí na displeji LCD.
4. Během přehrávání CD, nepřetržitě stiskněte tlačítko až se "REP ALL" zobrazí na displeji LCD. Jednotka bude opakovaně přehrávat všechny skladby, které jsou na disku.

Programování skladeb (až do 20 skladeb)

1. Nabijte požadovaný CD k naprogramování.
2. Ujistěte se, že CD je v zastaveném modulu.
3. Stiskněte tlačítko PROG jedenkrát, a "0 1 PROG" se zobrazí objeví se na displeji LCD.
4. Stiskněte tlačítko SKIP FORWARD/ SKIP BACKWARDS až se zobrazí číslo požadované skladby.

5. Stiskněte tlačítko PROG pro uložení volby.
6. Opět stiskněte tlačítko PROG pro vyhledávání naprogramovaných skladeb. Stiskněte tlačítko PROG jeden krát abyste vybrali polohu naprogramování a potom můžete poslouchat naprogramovanou skladbu nebo můžete naprogramovat novou skladbu.
7. Opakujte kroky (4) si (5) až do vložení všech skladeb.
8. Poté co všechny skladby uložené v paměti se převinuly, jednotka se automaticky zastaví.

Opakování naprogramovaných skladeb

1. Během přehrávání programu stiskněte tlačítko REP jeden krát a dochází k opakování naprogramované skladby.
2. Znovu stiskněte tlačítko REP a budou se opakovat všechny naprogramované skladby.
3. Stiskněte tlačítko Stop pro zrušení opakovaného přehrávání naprogramovaných skladeb.

PŘEHRÁVÁNÍ USB / MP3

1. Vložte zástrčku do hlavní napájecí zásuvky.
2. Nastavte otočný přepínač do polohy RÁDIO
3. Stiskněte tlačítko Stop / Function pokud se nezobrazí „U“.

4. Vložte zařízení USB do portu USB pro přehrávání hudby ve formátu MP3.

5. Můžete stisknout „Fast forward“, „Fast Backward“, „Play / Pause“, „Stop“ pro ovládání přehrávání MP3.

6. Chcete-li vypnout napájení jednotky, přepněte přepínač „Function“ do polohy OFF abyste ho vypnuli.

PŘEHRÁT BLUETOOTH

1. Zadejte zdroj napájení.

2. Přepněte přepínač Function do polohy USB.

3. Stiskněte tlačítko Stop/Function dokud se nezobrazí“BT“.

4. Připojte Váš smartphone k zařízení (jméno: BM004A-614) na přehrávání hudby MP3.

5. Můžete stisknout „Fast forward“, „Fast Backward“, „Play / Pause“, „Stop“ pro ovládání přehrávání MP3, ale nejlepší je použít smartphone.

FUNKCE AUTO POWER OFF

- Když jednotka nepřehrává skladby z CD nebo z Aux IN, ona se bude automaticky zastavit po 10 minutám.
- Uživatel může stisknout tlačítko “Play” pro nové spuštění přístroje, když je automaticky zastaven.
- Výše uvedená operace nebude fungovat když bude jednotka zastavena.
- Pro přehrávání skladeb z funkce CD a Aux poté co jednotka se automaticky zastavila po 10 minutám, konzultujte, prosím, návody na použití.

TEHNICKÉ SPECIFIKACE

FM 88 – 108 MHz

Napájecí výkon: AC: 230V~50Hz, DC: 9V

USB Port: 5 VDC, 200 mA

Rozměry: 24.5 x 20 x 11.8 CM

Hmotnost: 1.18 KGS

LIKVIDACE ELEKTRICKÝCH A ELEKTRONICKÝCH ZAŘÍZENÍ



Tento symbol na produktu nebo na jeho obalu znamená, že s produktem nelze zacházet stejně jako s komunálním odpadem. Na konci životnosti ho nevyhazujte do komunálního odpadu, ale předejte v recyklačním středisku.

Tímto způsobem pomůžete chránit životní prostředí a budete moci zabránit negativním dopadům na životní prostředí a zdraví lidí.

Vyhledání nejbližšího sběrného střediska:

- Kontaktujte místní úřady
- Přejděte na webovou stránku: <http://www.asekol.cz/asekol/>;
- Požádejte o další informace z obchodu, kde jste produkt zakoupili.

DOVOZCE: S.C. INTERVISION TRADING-RO S.R.L.

Bld. I.C. Brătianu, č. 48-52, Budova A, Patro 5,

Místnost 504-505, Město Pitești, Okres Argeș, Rumunsko

Poštové smerovacie číslo: 110121

BM004A-614

CD / USB/AM / FM /BTH Boombox



Príručka používateľ'a

SK-SLOVENSKÝ

ELECTRICKÉ NAPÁJANIE

NAPÁJANIE OD ZÁSUVKY

Pred použitím prístroja, overte ak napätie napájacej zásuvky špecifikované na prístroji odpovedá zdroju miestneho napájania.

Poznámka:

Používajte konektor pro zapojenie/odpojenie jednotky do/od zásuvky. Odpojená jednotka zôstane v stave prevádzky.

POUŽITIE BATÉRIÍ

Odpojte napájací kabel od zásuvky v stene a z jednotky. Výkon batérií je prerušený keď je kabel zapojený.

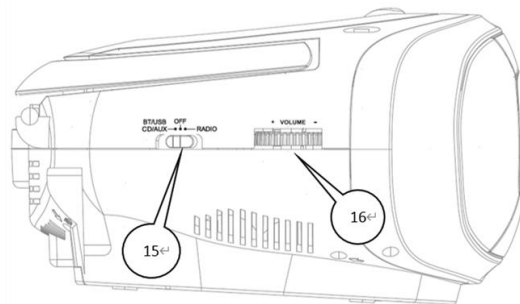
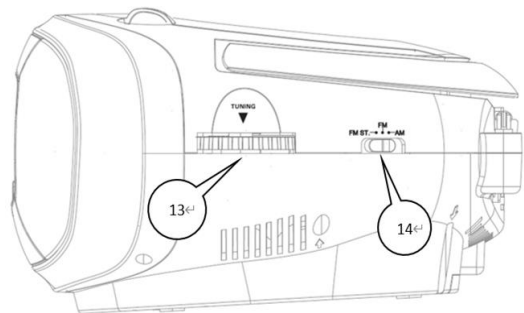
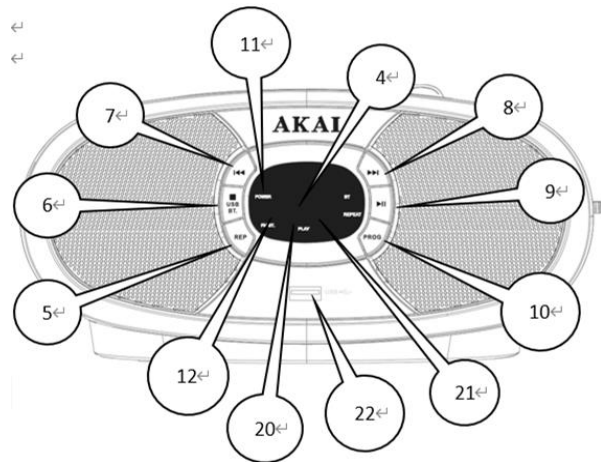
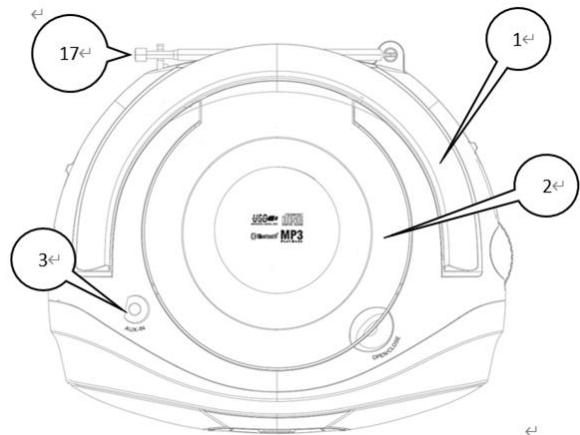
Keď sa hlasitosť znižuje, alebo je zvuk skresleným nahrad'te všetky batérie novými.

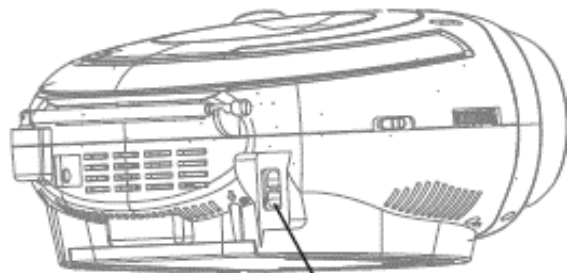
Vložte 6 batérií 1.5V (R14/UN12/C).

Odstráňte batérie z okolného prostredia vhodným spôsobom. Batérie nesmí byť vystavené nadmernému teplu, ohnu alebo iným podobným.

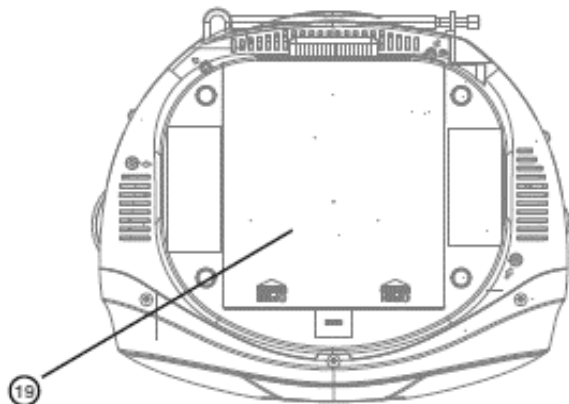
Upozornenie! Jednotka nesmie byť vystavená na miestach so zvýšeným rizikom vlhkosti, striekania alebo vedľa nádob s tekutinami, ako napríklad vazy.

OVLÁDACIE FUNKCIE





18



19

1. DRŽÁTKO
2. PRIHRÁDKA CD
3. KONEKTOR PRE SLÚCHADLÁ
4. DISPLAY LCD
5. TLAČIDLO REPEAT
6. TLAČIDLO STOP
7. TLAČIDLO SKIP DOZADU
8. TLAČIDLO SKIP DOPREDU
9. TLAČIDLO PREHRAŤ/ POZASTAVIŤ
10. TLAČIDLO PROGRAMY
11. INDIKÁTOR VÝKONU
12. INDIKÁTOR ST FM/USB
13. TUNING KNOB
14. INDIKÁTOR CD/BT/USB/AUX/RÁDIO
15. ZMENA FUNKCIE
16. TLAČIDLO HLASITOSTI
17. ANTÉNA FM
18. NAPÁJACÍ PRÚDOVÝ KÁBEL
19. PRIEHRADKA NA BATÉRIE
20. INDIKÁTOR LED PLAY/PAUSE
21. INDIKÁTOR STATUS OPAKOVANIE
22. USB PORT

PREVÁDZKOVANIE

Použitie funkcie Rozhlasu

1. Vložte zástrčku do hlavnej napájacej zásuvky
2. Vyberte funkciu ROZHLAS.
3. Otočte prepínačom BAND abyste zvolili pásmo AM/FM.
4. Otočte ovládacím tlačidlom TUNING abyste prepínali na požadovanú rozhlasovú stanicu.
5. Otočte tlačidlom VOLUME pre nastavenie hlasitosti zvuku.
6. Pre zastavenie jednotky, nastavte tlačidlo Function v polohe OFF. Pre dobrý príjem pásma AM, ľahko otočte alebo umiestnite jednotku na rôznych miestach miestnosti až dosáhnete požadovaného príjmu.

Pre dobrý príjem pásma FM, úplne rozšírite anténu FM. Vyvarujte sa byť v okolí reproduktorov alebo iných elektrických prístrojov.

Použitie funkcie Music CD Disk

1. Vložte zástrčku do hlavnej zásuvky napájania.
2. Prepínajte tlačidlo zmeny funkcie do polohy CD.
3. Otvorte prihrádku pre CD tým, že zdvihnete zásuvku Open/Close. Vložte disk do prihrádky s napísanou stranou nahore.
4. Kompletný počet skladieb sa zobrazí na displeji LCD, a jednotka začína prehrávať disk.
5. Stlačte tlačidlo SKIP FORWARD/SKIP BACKWARD abyste prešli na nasledujúcu alebo predchádzajúcu skladbu.
6. Stlačte a podržte tlačidlo SKIP FORWARD/SKIP BACKWARD pre rýchle vyhládavanie v jednej skladbe, pre stanovenie miesta určitej pasáže.
7. Počas previnutia disku stlačte tlačidlo PLAY/PAUSE abyste prerušili prehrávanie a stlačte znova pre prehrávanie. Indikátor prehrávania začína blikať.
8. Stlačte tlačidlo STOP pre zastavenie prehrávania CD, a celkový počet skladieb sa zobrazí na displeji LCD.
9. Hneď ako všetky skladby boli prehrávané CD prehrávača sa automaticky zastaví a celkový počet skladieb sa zobrazí na displeji LCD.

POZNÁMKA:

Nesmíte otvoriť prihrádku CD počas prehrávania alebo otáčania.

Najprv stlačte tlačidlo STOP.

Tento prístroj môže prehrávať hudbu vo formáte CD.

Prehrávaní iných audio zariadení pomocou daného prístroja.

Môžete mať radosť z hudby z prehrávača MP3, počítača alebo iného externého audio zariadenia (s konektorom stereo 3.5mm) pripojeného k jednotke.

1. Vložte audio kábel (nezahrnutý) s konektorom 3.5mm na obou koncoch do konektoru pre slúchadlá alebo do konektoru výstupu počítača alebo MP3 a druhý koniec do konektoru AUX-IN jednotky. Môžete kúpiť taký kábel v akomkoľvek obchode pre elektrické zariadenia.
2. Zapojte k napájacej zásuvke alebo k batériam.
3. Otočte prepínačom FUNCTION do polohy AUX.
4. Spust' te prepínač MP3 alebo počítač, nastavte kontrolu hlasitosti od prehrávača MP3 alebo od počítača a nastavte na požadovanú úroveň.

5. Vypínač prepnite do polohy OFF (vypnuté).

OPAKOVANIE 1 SKLADBY / OPAKOVANIE VŠETKÝCH SKLADIEB

1. Počas prehrávania CD, stlačte tlačidlo SKIP FORWARD/SKIP BACKWARD, pre voľbu skladby, ktorú chcete opakovať.
2. Stlačte tlačidlo REP prvý raz a jednotka bude opakovane prehrávať požadovanú skladbu. "REP" sa zobrazí na displeji LCD.
3. Pre zrušenie voľby, stlačte tlačidlo REP až "REP" zmizí na displeji LCD.
4. Počas prehrávania CD, permanentne stlačte tlačidlo až sa "REP ALL" zobrazí na displeji LCD. Jednotka bude opakovane prehrávať všetky skladby, ktoré sú na disku.
5. Pre zrušenie voľby, stále stlačte tlačidlo REP až indikátor REP zmizí na displeji LCD.

Programovanie skladieb (až do 20 skladieb)

1. Nabijte požadovaný CD k naprogramovaniu.
2. Uistite sa, že CD je v zastavenom modulu.
3. Stlačte tlačidlo PROG jeden krát, a “0 1 PROG” sa zobrazí na displeji LCD.
4. Stlačte tlačidlo SKIP FORWARD/SKIP BACKWARDS až dochádza k číslu požadovanej skladby.
5. Stlačte tlačidlo PROG pre uloženie vol'by.
6. Opäť stlačte tlačidlo PROG pre vyhl'adávanie naprogramovaných skladieb. Stlačte tlačidlo PROG jeden krát abyste vybrali polohu naprogramovania a potom môžete počúvať naprogramovanú skladbu alebo môžete naprogramovať novú skladbu.
7. Opakujte kroky (4) si (5) až do vloženia všetkých skladieb.
8. Hneď ako všetky uložené v pamäti sa previnuly, jednotka sa automaticky zastaví.

Opakovanie naprogramovaných skladieb

1. Počas prehrávania programu stlačte tlačidlo REP jeden raz a dochádza k opakovaniu naprogramovanej skladby.
2. Opäť stlačte tlačidlo REP a budú sa opakovať všetky naprogramované skladby. Stlačte tlačidlo Stop pre zrušenie opakovaného prehrávania naprogramovaných skladieb.

PREHRÁVANIE USB / MP3

1. Vložte zástrčku do hlavnej napájacej zásuvky.
2. Nastavte prepínač USB/FM/AM do polohy USB.
3. Stlačte tlačidlo Stop / Function pokiaľ sa nezobrazí „U”.
4. Vložte zariadenie USB do portu USB pre prehrávanie hudby vo formátu MP3..
5. Môžete stlačiť “Fast forward”, “Fast Backward”, “Play/Pause”, “,Stop” pre ovládanie prehrávania MP3.
6. Ak chcete vypnúť napájanie jednotky, prepnite prepínač „Function” do polohy OFF aby ste ho vypli.

PREHRAŤ BLUETOOTH

1. Zadať zdroj napájania.
2. Prepnite prepínač Function do polohy USB.
3. Stlačte tlačidlo Stop/Function kým sa nezobrazí "BT".
4. Pripojte Váš smartphone k zariadeniu (meno: BM004A-614) na prehratie hudby MP3.
5. Môžete stlačiť „Fast forward“, „Fast Backward“, „Play / Pause“, „Stop“ pre ovládanie prehrávania MP3, ale najlepšie je použiť smartphone.

FUNKCIA AUTO POWER OFF

- Keď jednotka neprehráva skladby z CD alebo z Aux IN, ona sa bude automaticky zastaviť po 10 minútach.
- Používateľ môže stlačiť tlačidlo "Play" pre nové spustenie prístroja, keď je automaticky zastavený
- Horeuvedená operácia nebude fungovať keď jednotka bude zastavená.
- Pre prehrávanie skladieb z funkcie CD a Aux hneď ako jednotka sa automaticky zastavila po 10 minútach, konzultujte, prosím, návody na použitie

TEHNICKÉ ŠPECIFIKÁCIE

FM 88 – 108 MHz

Napájací výkon: AC: 230V~50Hz, DC: 9V

USB Port: 5 VDC, 200 mA

Rozmery: 24.5 x 20 x 11.8 CM

Hmotnosť: 1.18 KGS

LIKVIDÁCIA ELEKTRICKÝCH A ELEKTRONICKÝCH ZARIADENÍ



Tento symbol na výrobku alebo na jeho obale znamená, že s výrobkom nemožno zaobchádzať rovnako ako s komunálnym odpadom. Na konci životnosti ho nevyhadzujte spolu s

komunálnym odpadom, ale odovzdajte ho recyklačnému stredisku. Týmto spôsobom pomôžete chrániť životné prostredie a budete môcť zabrániť negatívnym dopadom na životné prostredie a zdravie ľudí.

Vyhľadanie najbližšieho zberného strediska:

- Kontaktujte miestne úrady
- Prejdite na webovú stránku: <http://www.asekol.sk/asekol/>;
- Požiadajte o ďalšie informácie z obchodu, kde ste produkt zakúpili.

DOVOZCA: S.C. INTERVISION TRADING-RO S.R.L.

Bld. I.C. Brătianu, č. 48-52, Budova A, Poschodie 5,

Miestnosť 504-505, Mesto Pitești, Okres Argeș, Rumunsko

Poštové smerovacie číslo: 110121